



E9*22R05/03*6051*04

Ext.04

Página / Page 1/2

Comunicación sobre / *Concerning* ⁽¹⁾:

- ~~concesión de la homologación / approval granted~~
- ~~extensión de la homologación / approval extended~~
- ~~denegación de la homologación / approval refused~~
- ~~retirada de homologación / approval withdrawn~~
- ~~cese definitivo de la producción / production definitely discontinued~~

de un tipo de casco de protección con/sin ⁽¹⁾ uno/varios ⁽¹⁾ tipo(s) de pantalla en aplicación del Reglamento N° 22 /
of a type of protective helmet with/without ⁽¹⁾ one/more ⁽¹⁾ visor type(s) pursuant to Regulation No. 22.

Homologación n° / *Approval No.*: E9*22R05/03*6051*04

Extensión N° / *Extension No.* 04

Motivos de la extensión / *Reasons for extension*: Inclusión de marca y denominación comercial /
Inclusion of brand name and commercial denomination

1. Marca de fábrica o comercial / *Trade mark*: MT, SHOX, ZOAN, KRANOS, AXXIS, SPARTAN, BLACK, SPYDER, DOJO, Y, YOHE, LAZER, LZR, BiLT, CASTLE, RODA, BKR, SPIRIT, BIEFFE, RIDER, BILMOLA, KHI
2. Tipo / *Type*: AVENUE
Variantes / *Variants*: AVENUE, AVENUE B
3. Tallas / *Sizes*: XS(53-54), S(55-56), M(57-58), L(59-60), XL(61-62), XXL(63)
4. Nombre del fabricante / *Manufacturer's name*:
MANUFACTURAS TOMÁS, S.A.
5. Dirección del fabricante / *Manufacturer's address*:
Ctra. La Palma, N°19, 30594 Pozo Estrecho
MURCIA (Spain)
6. Nombre del representante, en su caso / *If applicable, name of manufacturer's representative*: ----
7. Dirección del representante / *Representative address*: ----
8. Breve descripción del casco / *Brief description of helmet*:
Ver documentación del fabricante / *See manufacturer's documentation*
9. Casco sin protección de barbilla (J) / ~~con protección de barbilla (P) / con protección de barbilla no protectora (NP)~~ ⁽¹⁾ / *Helmet without lower face cover (J) / ~~with protective lower face cover (P) / with non-protective lower face cover (NP)~~* ⁽¹⁾
10. Tipo de pantalla o pantallas / *Type of visor or visors*: 881 Visor (E13-05.10240)
11. Breve descripción de la pantalla o pantallas / *Brief description of visor or visors*:
Ver documentación del fabricante / *See manufacturer's documentation*

⁽¹⁾ Táchese lo que no proceda / *Strike out what does not apply*



MINISTERIO
DE INDUSTRIA, COMERCIO Y
TURISMO

DIRECCIÓN GENERAL DE INDUSTRIA Y
DE LA PEQUEÑA Y MEDIANA EMPRESA

SUBDIRECCIÓN GENERAL DE
CALIDAD Y SEGURIDAD INDUSTRIAL



E9*22R05/03*6051*04

Ext.04

Página / Page 2/2

12. Presentado a la homologación el / *Submitted for approval on:* 01.09.2015, 20.03.2017, 14.07.2017, 18.10.2018, 16.09.2019
13. Servicio técnico encargado de los ensayos de homologación / *Technical service responsible for conducting approval tests:* IDIADA
14. Fecha del acta de los ensayos emitida por este servicio / *Date of report issued by that service:* 27.10.2015, 20.03.2017, 28.07.2017, 30.11.2018, 16.09.2019
15. Nº del acta de ensayos emitida por este servicio / *Number of report issued by that service:* MT15080049, MT17020111, MT17070048, MT18100175, MT19090052
16. Observaciones / *Comments:* ----
17. Homologación ~~concedida~~ / extendida / denegada / retirada ⁽¹⁾ / *Approval ~~granted~~ / extended / refused / withdrawn ⁽¹⁾*
18. Lugar / *Place:* Madrid
19. Fecha / *Date:* Ver firma electrónica / *See electronic signature*
20. Firma / *Signature:*
EL SUBDIRECTOR GENERAL DE CALIDAD Y SEGURIDAD INDUSTRIAL
Resolución P.D. del DIRECTOR GENERAL DE INDUSTRIA Y DE LA PYME de 25-10-2012
21. Los siguientes documentos, que llevan el número de homologación arriba indicado, pueden ser obtenidos a solicitud del interesado / *The following documents, bearing the approval number shown above, are available on request:*
 - * Informe técnico / *Technical report*
 - * Documentación técnica del fabricante / *Manufacturer's technical documentation*

(¹) Táchese lo que no proceda / *Strike out what does not apply*

**INFORME N° / REPORT No. MT19090052****CASCOS DE PROTECCIÓN Y SUS PANTALLAS PARA CONDUCTORES Y PASAJEROS DE
MOTOCICLETAS Y CICLOMOTORES SEGÚN EL REGLAMENTO 22.05
PROTECTIVE HELMETS AND THEIR VISORS FOR DRIVERS AND PASSENGERS OF MOTORCYCLES
AND MOPEDS ACCORDING TO REGULATION 22.05****EXTENSION IV**

Fabricante / <i>Manufacturer</i>	:	MANUFACTURAS TOMÁS, S.A. Ctra. La Palma, N°19, 30594 Pozo Estrecho MURCIA (Spain)
Marca(s) / <i>Make(s)</i>	:	MT, SHOX, ZOAN, KRANOS, AXXIS, SPARTAN, BLACK, SPYDER, DOJO, Y, YOHE, LAZER, LZR, BiLT, CASTLE, RODA, BKR, SPIRIT, BIEFFE, RIDER, BILMOLA, KHI
Tipo / <i>Type</i>	:	AVENUE
Variantes / <i>Variants</i>	:	AVENUE, AVENUE B
Denominaciones comerciales / <i>Commercial denominations</i>	:	OF881, JH3, ALPHA, BLH100, ROUTE, ADVANTAGE, K19 DV
Lugar y fecha de emisión del informe / <i>Place and date</i>	:	L'Albornar, Santa Oliva (Tarragona) 16.09.2019

CONCLUSIONES / CONCLUSIONS: La modificación introducida en el casco, como se detalla en el anexo a este informe, es motivo de extensión de homologación respecto al casco tipo y extensiones (exps. IDIADA N°s MT15080049, MT17020111, MT17070048 y MT18100175) y CUMPLE con las especificaciones relativas a la homologación de cascos y pantallas de protección para conductores y pasajeros de motocicletas y ciclomotores, correspondientes al Reglamento ECE 22.05. / *Modification introduced to the helmet, as detailed in the annex to this report, grant grounds for approval extension with respect to formerly certified helmet-type and extensions (IDIADA Reports Nos. MT15080049, MT17020111, MT17070048 and MT18100175) and FULFILLS the specifications relating to the homologation of helmets and their visors of protection for drivers and passengers of motorcycles and mopeds, according to Regulation 22.05.*

Realizado / *Performed by* :**Antonio Santos Carreño**
TÉCNICO DE HOMOLOGACIONES
HOMOLOGATION TECHNICIANVº. Bº. / *Revised by* :**Víctor Costa Escarrà**
JEFE DE DEPARTAMENTO
DEPARTMENT MANAGER

* LOS RESULTADOS PRESENTADOS SE REFIEREN ÚNICAMENTE A LA MUESTRA ENSAYADA.
THE PRESENTED RESULTS REFER ONLY TO THE TESTED SAMPLE

* QUEDA TERMINANTEMENTE PROHIBIDA LA REPRODUCCION PARCIAL DE ESTE INFORME SIN PERMISO EXPRESO DE IDIADA.
THE PARTIAL REPRODUCTION OF THIS REPORT WITHOUT THE PERMISSION OF IDIADA IS COMPLETELY FORBIDDEN

**ANEXO AL INFORME / ANNEX TO THE TEST REPORT**MOTIVOS DE EXTENSIÓN / EXTENSION REASONS

- Inclusión de la marca / *Inclusion of the brand name*: KHI
- Inclusión de la denominación comercial / *Inclusion of the commercial denomination*: K19 DV

IDENTIFICACIÓN DEL PROYECTO / PROJECT IDENTIFICATION

Fabricante /
Manufacturer : MANUFACTURAS TOMÁS, S.A.
Ctra. La Palma, N°19, 30594 Pozo Estrecho
MURCIA (Spain)

Marca(s) / *Make(s)* : KHI

Tipo / *Type* : AVENUE

Denominaciones comerciales /
Commercial denominations : K19 DV

Lugar / *Place* : L'Albornar, Santa Oliva (Tarragona)
Fecha / *Date* : 16.09.2019

Antonio Santos Carreño
TÉCNICO DE HOMOLOGACIONES
HOMOLOGATION TECHNICIAN

* LOS RESULTADOS PRESENTADOS SE REFIEREN ÚNICAMENTE A LA MUESTRA ENSAYADA.

THE PRESENTED RESULTS REFER ONLY TO THE TESTED SAMPLE

* QUEDA TERMINANTEMENTE PROHIBIDA LA REPRODUCCIÓN PARCIAL DE ESTE INFORME SIN PERMISO EXPRESO DE IDIADA.

THE PARTIAL REPRODUCTION OF THIS REPORT WITHOUT THE PERMISSION OF IDIADA IS COMPLETELY FORBIDDEN

DOCUMENTACIÓN TÉCNICA /
TECHNICAL DOCUMENTATION



**R22.05/ECE TYPE-APPROVAL OF PROTECTIVE HELMETS AND THEIR VISORS FOR DRIVERS
AND PASSENGERS OF MOTORCYCLES AND MOPEDS**

INDEX OF DOCUMENTATION

<i>Page</i>	<i>Concept</i>	<i>Date</i>
1	GENERAL INFORMATION	SEP. 2019
2	DESCRIPTION OF THE HELMET / SHELL / RETENTION SYSTEM	Nov. 2018
3	PROTECTIVE PADDING / COMFORT PADDING / OTHER CHARACTERISTICS	Nov. 2018
4	VISOR / ACCESSORIES	Nov. 2018
5	GENERAL VIEW OF THE HELMET (Variant AVENUE)	Nov. 2018
6	GENERAL VIEW OF THE HELMET (Variant AVENUE B)	Nov. 2018
7	ASSEMBLY DRAWING OF THE HELMET (Variant AVENUE)	Nov. 2018
8	ASSEMBLY DRAWING OF THE HELMET (Variant AVENUE B)	Nov. 2018
9	DRAWING OF THE SHELL WITH DIMENSIONS (Sizes XXL-XS)	Nov. 2018
10	DRAWING OF THE PROTECTIVE PADDING (Sizes XXL-L)	Nov. 2018
11	DRAWING OF THE PROTECTIVE PADDING (Size M)	Nov. 2018
12	DRAWING OF THE PROTECTIVE PADDING (Sizes S-XS)	Nov. 2018
13	DRAWING OF THE RETENTION SYSTEM (MICROMETRIC)	Nov. 2018
14	DRAWING OF THE RETENTION SYSTEM (DD-RINGS)	Nov. 2018
15	DRAWING OF THE RETENTION SYSTEM (StepMetic Lock buckle)	Nov. 2018
16	DRAWING OF THE RETENTION SYSTEM (POSITIONING)	Nov. 2018
17	DRAWING OF THE VISOR	Nov. 2018
18	DRAWING OF THE SUNLIGHT FILTER	Nov. 2018
19	DRAWING OF THE VENTILATIONS AND RATCHETS (Variant AVENUE)	Nov. 2018
20	DRAWING OF THE VENTS (Variant AVENUE B)	Nov. 2018
21	DRAWING OF THE RUBBER EDGES	Nov. 2018
22	APPROVAL MARKING	Nov. 2018

Extension reasons:

- ***Inclusion of the brand name: KHI***
- ***Inclusion of the commercial denomination: K19 DV***



**R22.05/ECE TYPE-APPROVAL OF PROTECTIVE HELMETS AND THEIR VISORS FOR DRIVERS
AND PASSENGERS OF MOTORCYCLES AND MOPEDS**

1. GENERAL INFORMATION

1.1 Make(s):

MT, SHOX, ZOAN, KRANOS, AXXIS, SPARTAN, BLACK, SPYDER, DOJO,
Y, YOHE, LAZER, LZR, BiLT, CASTLE, RODA, BKR, SPIRIT, BIEFFE,
RIDER, BILMOLA, *KHI*

1.2. Type:

AVENUE

1.3. Variants / Versions:

AVENUE, AVENUE B

1.4. Commercial denominations:

For brand names Y, YOHE, RODA, BKR, SPIRIT, BIEFFE: OF881

For brand names LAZER, LZR: JH3

For brand name SPYDER: ALPHA

For brand name BiLT: BLH100, ROUTE

For brand name BILMOLA: ADVANTAGE

For brand name KHI: K19 DV

1.5. Name and address of manufacturer:

**MANUFACTURAS TOMÁS, S.A.
Ctra. La Palma 19, 30594 Pozo Estrecho
Cartagena, Murcia (España)**

1.6. Name and address of assembly plant:

**FOSHAN CITY NANHAI YOHE HELMET MANUFACTURING Co., Ltd.
Yannan Industry Zone, Longgao Road, Jiujiang Town
FOSHAN, Guangdong Province (China)**

1.7. If any, name and address of manufacturer's authorized representative: ----

1.8. Location and method of affixing of the international approval mark:

Marked in a label sewn on the retention system chin strap



**R22.05/ECE TYPE-APPROVAL OF PROTECTIVE HELMETS AND THEIR VISORS FOR DRIVERS
AND PASSENGERS OF MOTORCYCLES AND MOPEDS**

2. DESCRIPTION OF THE HELMET

2.1. Type of helmet: **Full face / Flip-up / Open face**

2.2. Type of lower face cover: **"P" protective / "NP" non-protective / "J" none**

2.3. Sizes:

XS(53-54), S(55-56), M(57-58), L(59-60), XL(61-62), XXL(63)

3. SHELL

3.1. Material used: **ABS**

3.2. Composition of the border join on the shell: **PVC**

3.3. Ventilations:

3.3.1. Number of ventilations: **3 pcs**

3.3.2. Positioning on the shell: **2 pcs forehead (R/L) and 1 pc top rear shell.**

4. RETENTION SYSTEM

4.1. Chin strap:

4.1.1. Material: **Nylon**

4.1.2. Width: **22 mm when use quick release mechanism
25 mm when use double-D rings**

4.2. Retention system:

**Quick release mechanisms: Micrometric and StepMetic Lock buckle
Double-D rings**

4.3. Comfort padding of the retention system:

4.3.1. Composition: **Fabric**

4.4. Anchorage system to the shell:

By a metallic piece fitted to the internal part of the shell by a rivet.



**R22.05/ECE TYPE-APPROVAL OF PROTECTIVE HELMETS AND THEIR VISORS FOR DRIVERS
AND PASSENGERS OF MOTORCYCLES AND MOPEDS**

5. PROTECTIVE PADDING

5.1. Composition:

Expanded polystyrene

5.2. Density:

Size	Main part (kg/m ³)	Side part (kg/m ³)	Crown part (kg/m ³)
XS	45	60	15
S			
M	45	60	15
L	55	75	15
XL			
XXL			

6. COMFORT PADDING

6.1. Composition of:

Comfort padding: **Compound sponge**

Comfort tissue: **Compound cloth**

Lateral packing: **Compound sponge**

7. OTHER CHARACTERISTICS

7.1. Markings:

7.1.1. Location of:

Make: **Outer shell, different location depending on makes**

Weight: **1150 ± 50 g**

Size: **L,342 X W,257 X H,253**



**R22.05/ECE TYPE-APPROVAL OF PROTECTIVE HELMETS AND THEIR VISORS FOR DRIVERS
AND PASSENGERS OF MOTORCYCLES AND MOPEDS**

8. VISOR

8.1. Approval number: **E13-05.10240**

8.2. Make(s): **MT, YOHE, LAZER, VB, NOX, CORSA, STORMER, ZOAN, SHOX, BLACK, MOTS, NOW, NITRO, G-MAC, SWIFT, TAKACHI, IXS, CGM, Viper, BILT, SKA-P, DFX, LEOPARD, MSR, OZEKI, URBINO, FALCON, PREMIER, O'NEAL, RIDER, BILMOLA**

8.3. Type: **881 Visor**

8.4. Name and address of manufacturer:

**FOSHAN CITY NANHAI YOHE HELMET MANUFACTURING Co., Ltd.
Yannan Industry Zone, Longgao Road, Jiujiang Town
FOSHAN, Guangdong Province (China)**

8.5. Material: **Optical polycarbonate**

8.6. Drawing of the visor: **See page 17.**

8.7. Surface treatment: **Scratch resistant**

8.8. Colour: **Transparent**

8.9. Manufacture method: **By injection**

9. ACCESSORIES

9.1. Peak: ----

9.2. Sunlight filter: **Included, as an optional device. See page 18.**

9.3. Information for wearers:

9.3.1. Text: ----

9.3.2. Location: **In a label sewn in the inner comfort padding.**

GENERAL VIEW OF THE HELMET (Variant AVENUE)



Isometric



Side



Rear



Front



Top

GENERAL VIEW OF THE HELMET (Variant AVENUE B)



Isometric



Front



Side



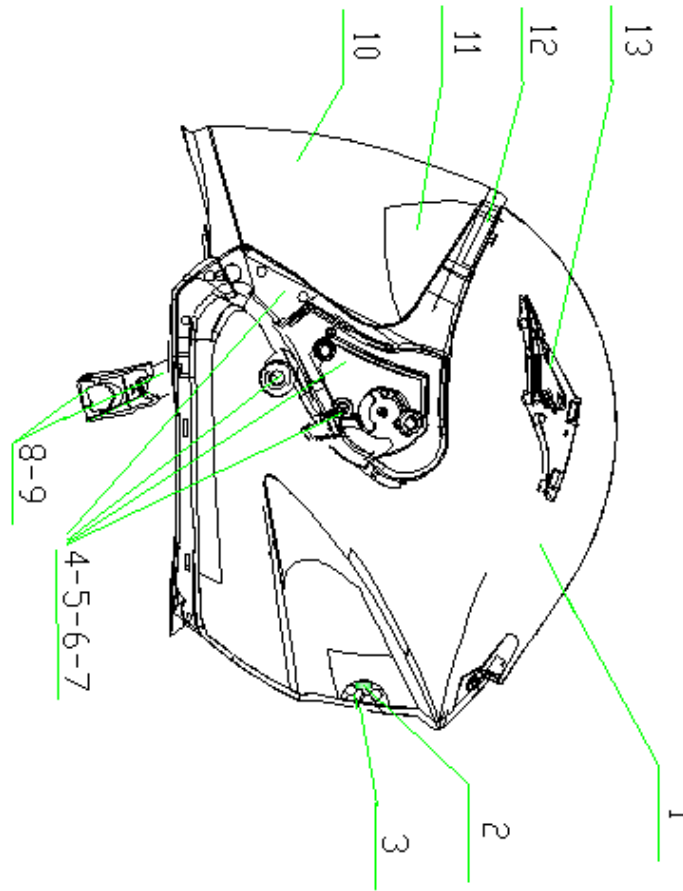
Top



Rear

R22.05/ECE TYPE-APPROVAL OF PROTECTIVE HELMETS AND THEIR VISORS FOR DRIVERS AND PASSENGERS OF MOTORCYCLES AND MOPEDS

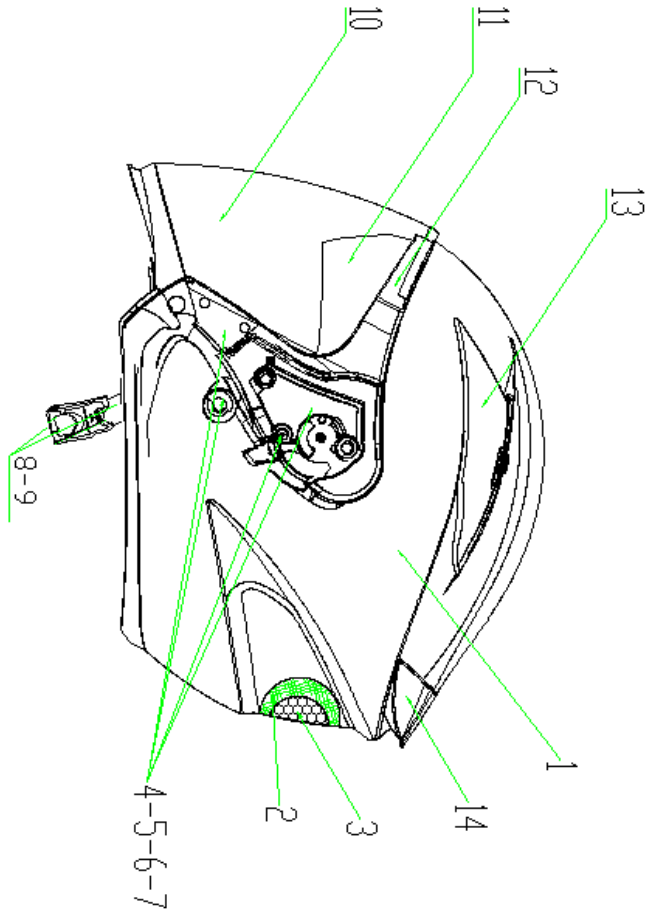
ASSEMBLY DRAWING OF THE HELMET (Variant AVENUE)



Order	Name	Unit	Place
13	Front Upper Vent	PAIR	1
12	Upper Rubber Edge	SET	1
11	Inner Visor	PCS	1
10	Visor	PCS	1
9	Chinstrap	PAIR	1
8	Chinstrap Buckle	PAIR	1
7	Switch	SET	1
6	Visor Spin Button	PAIR	1
5	Visor Base	PAIR	1
4	Rivet	PCS	2
3	EPS	SET	1
2	Inner Lining	SET	1
1	Shell	PCS	1

R22.05/ECE TYPE-APPROVAL OF PROTECTIVE HELMETS AND THEIR VISORS FOR DRIVERS AND PASSENGERS OF MOTORCYCLES AND MOPEDS

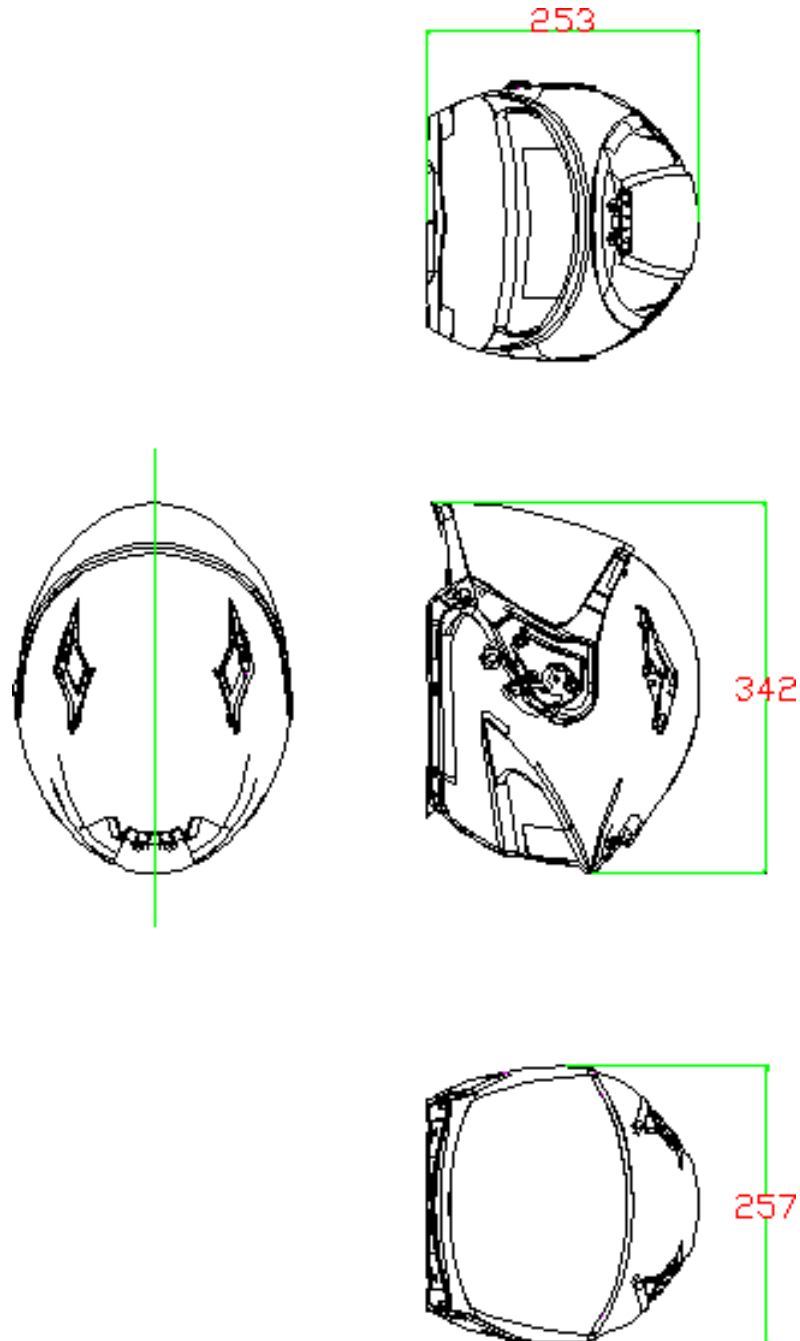
ASSEMBLY DRAWING OF THE HELMET (Variant AVENUE B)



Order	Name	Unit	Piece
14	Rear Upper Vent	PAIR	1
13	Front Upper Vent	PAIR	1
12	Upper Rubber Edge	SET	1
11	Inner Visor	PCS	1
10	Visor	SET	1
9	Chin Strap	PAIR	1
8	Chin Strap Buckle	PAIR	1
7	Switch	SET	1
6	Visor Spin Button	PAIR	1
5	Visor Base	PAIR	1
4	Rivet	PCS	2
3	EPS	SET	1
2	Inner Lining	SET	1
1	Shell	PCS	1

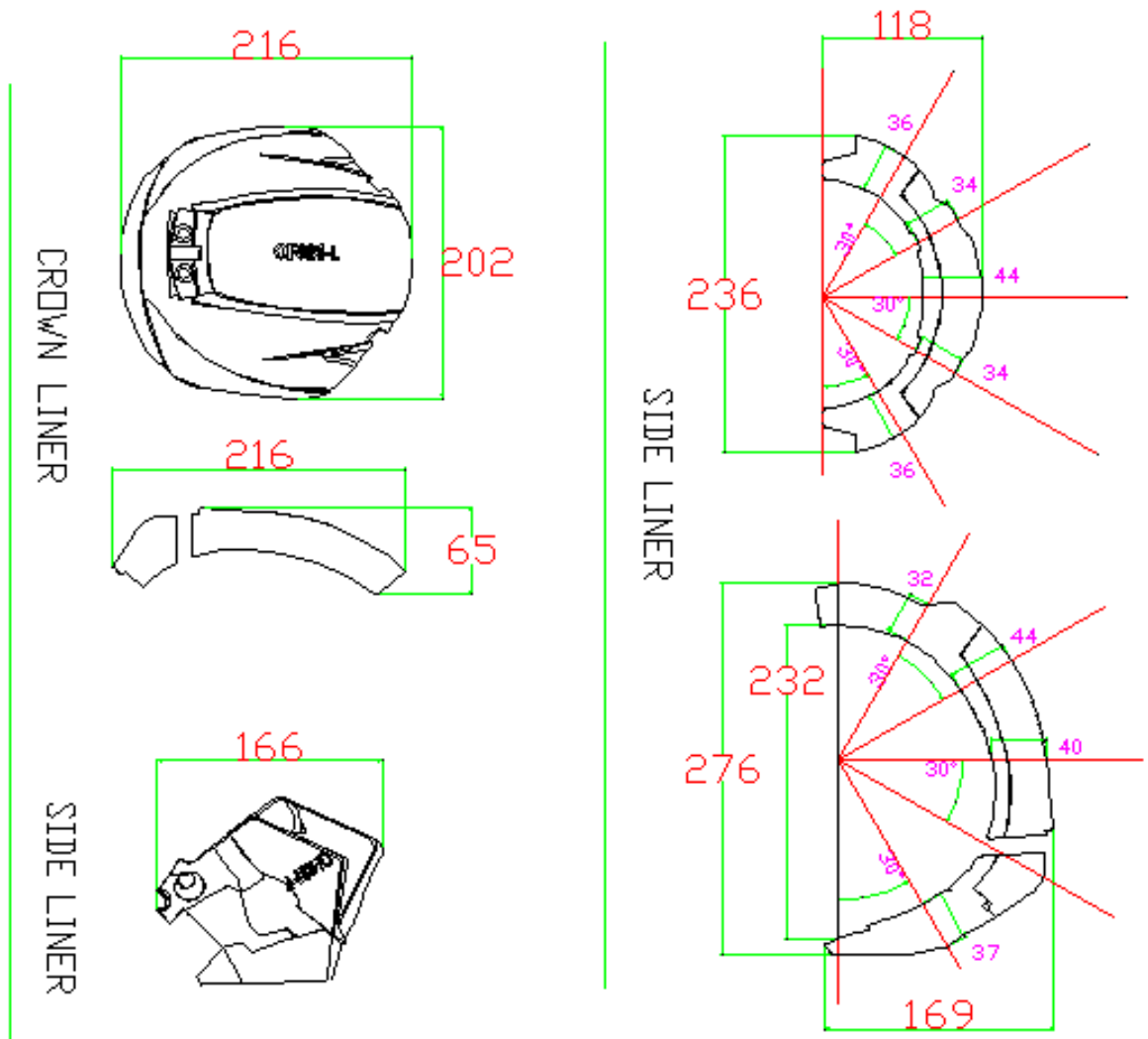
R22.05/ECE TYPE-APPROVAL OF PROTECTIVE HELMETS AND THEIR VISORS FOR DRIVERS
AND PASSENGERS OF MOTORCYCLES AND MOPEDS

DRAWING OF THE SHELL WITH DIMENSIONS (Sizes XXL-XS)



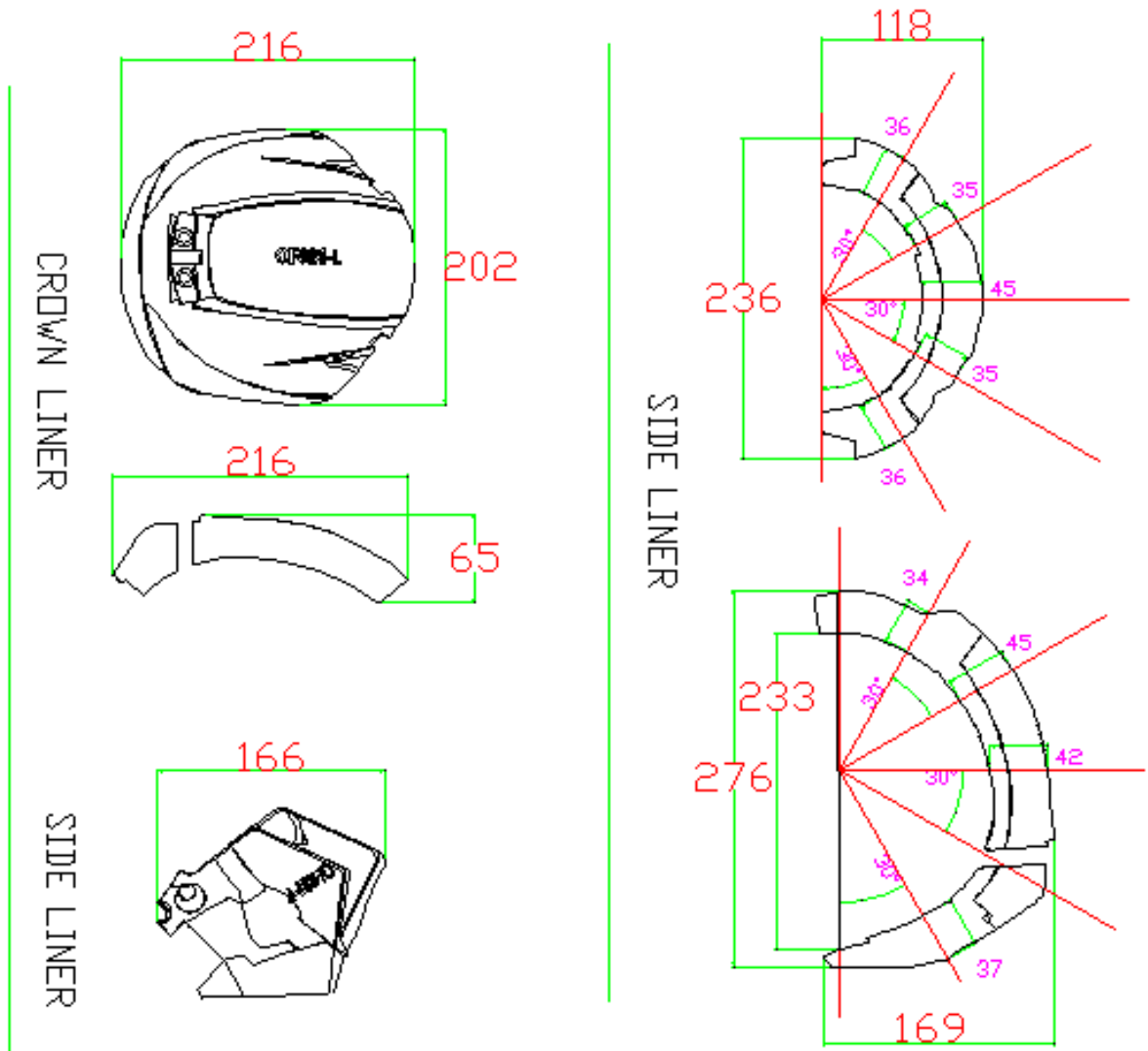
R22.05/ECE TYPE-APPROVAL OF PROTECTIVE HELMETS AND THEIR VISORS FOR DRIVERS
AND PASSENGERS OF MOTORCYCLES AND MOPEDS

DRAWING OF THE PROTECTIVE PADDING (Sizes XXL-L)



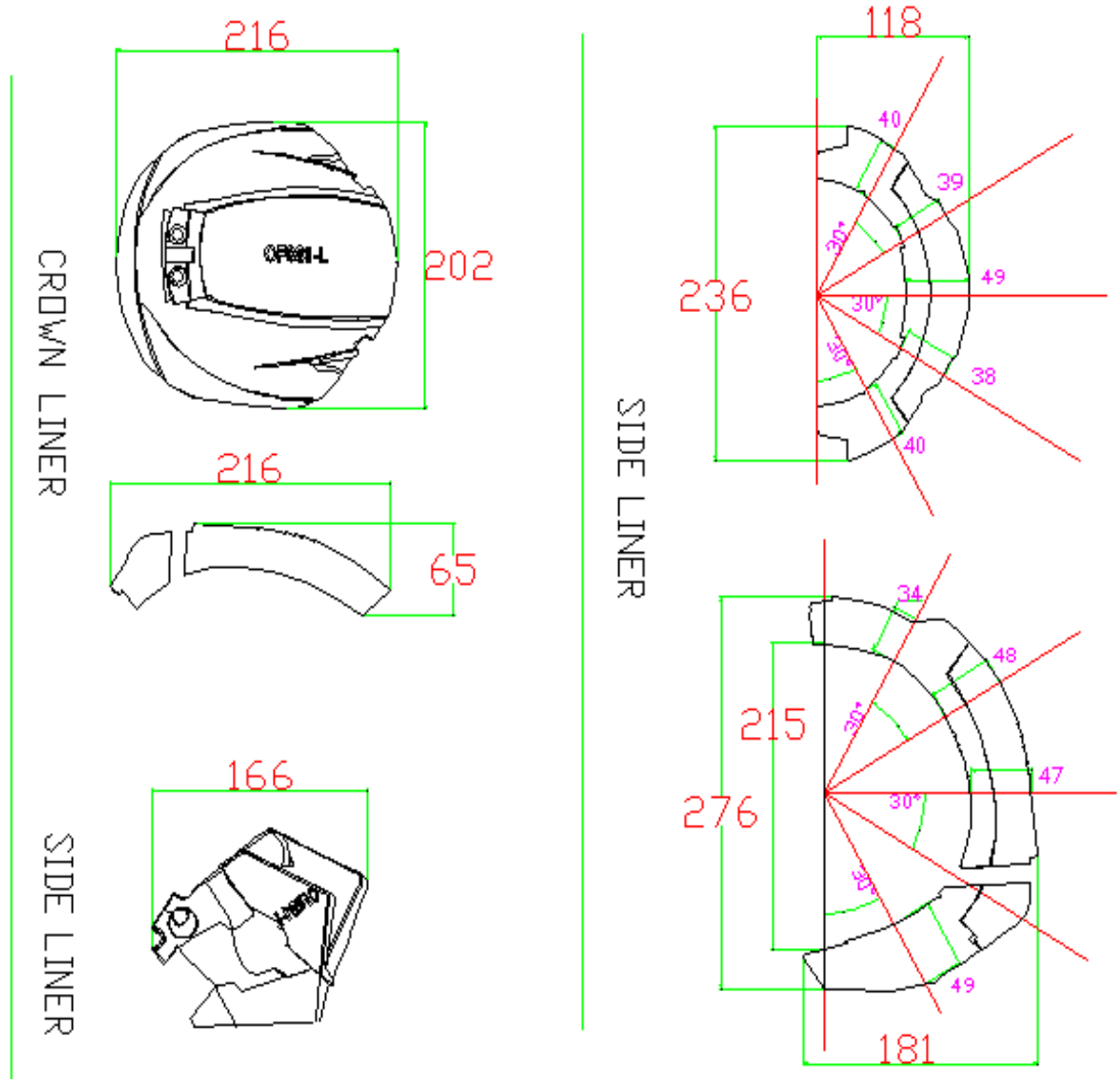
R22.05/ECE TYPE-APPROVAL OF PROTECTIVE HELMETS AND THEIR VISORS FOR DRIVERS
AND PASSENGERS OF MOTORCYCLES AND MOPEDS

DRAWING OF THE PROTECTIVE PADDING (Size M)



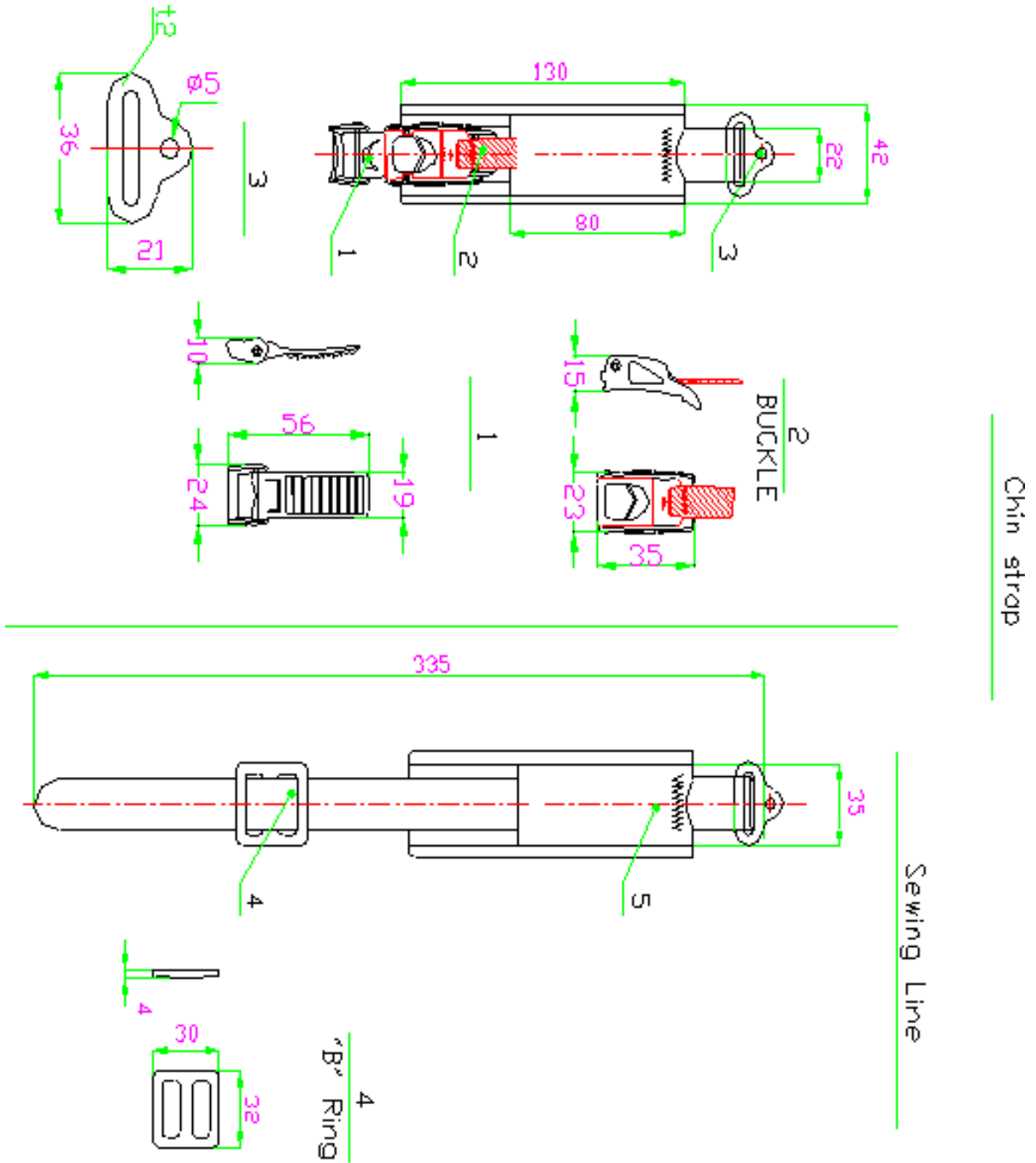
R22.05/ECE TYPE-APPROVAL OF PROTECTIVE HELMETS AND THEIR VISORS FOR DRIVERS AND PASSENGERS OF MOTORCYCLES AND MOPEDS

DRAWING OF THE PROTECTIVE PADDING (Sizes S-XS)



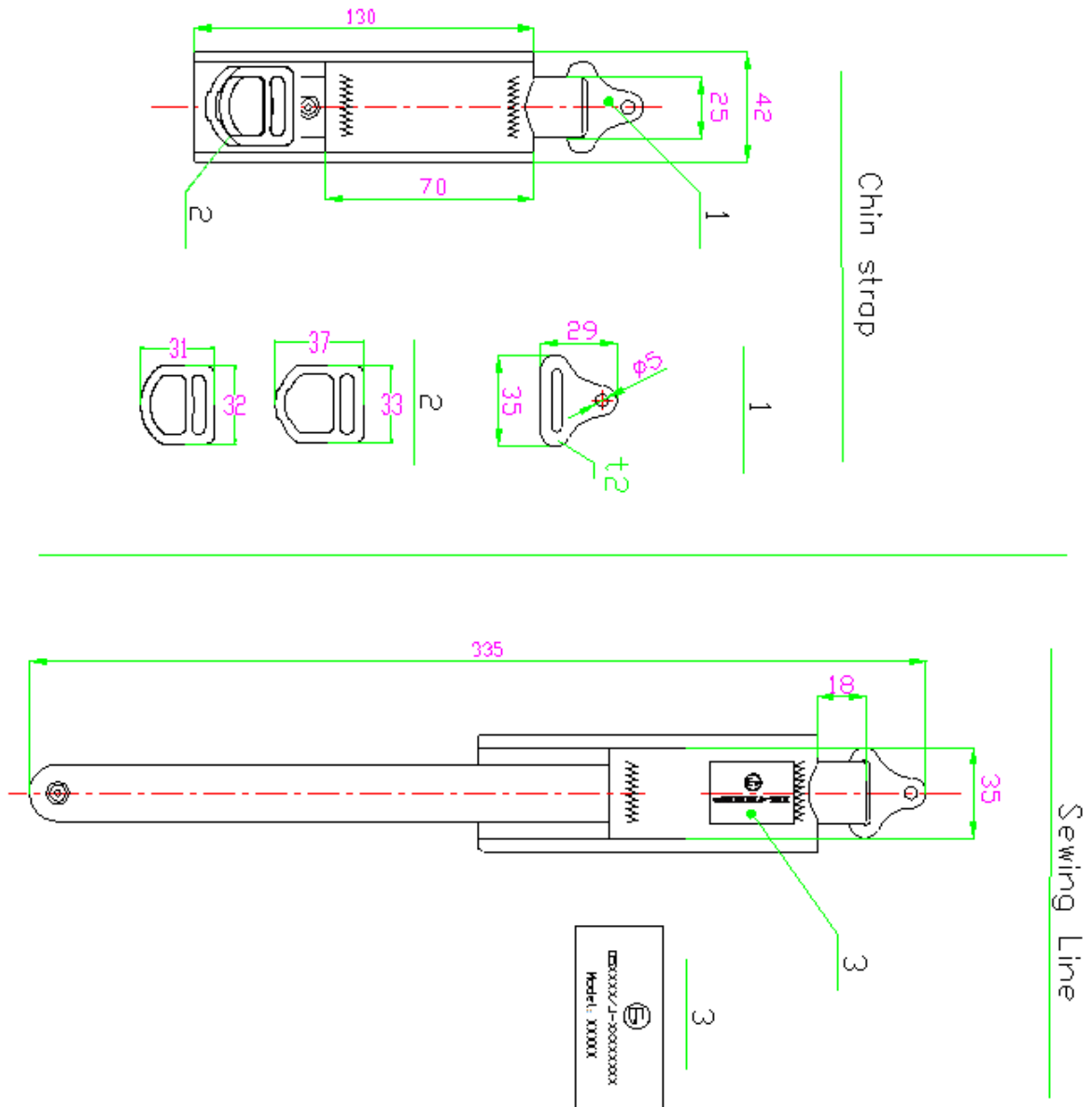
R22.05/ECE TYPE-APPROVAL OF PROTECTIVE HELMETS AND THEIR VISORS FOR DRIVERS
AND PASSENGERS OF MOTORCYCLES AND MOPEDS

DRAWING OF THE RETENTION SYSTEM (MICROMETRIC)



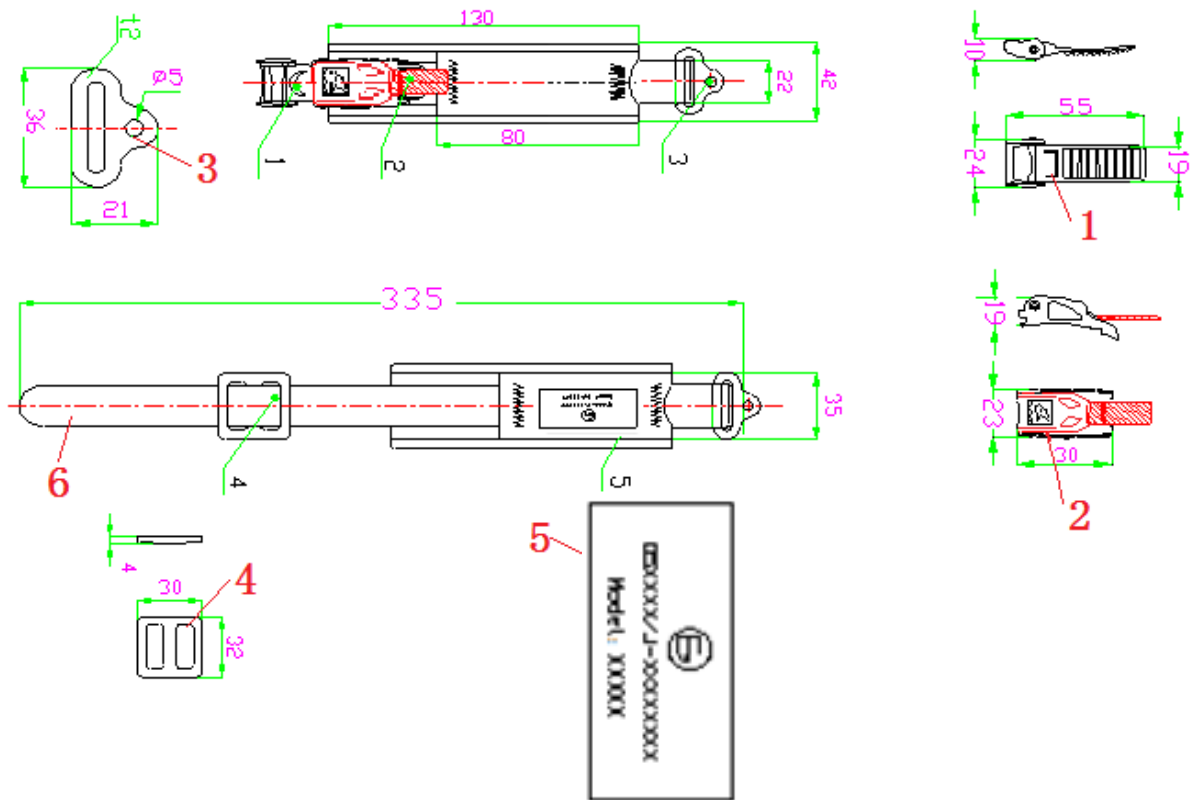
R22.05/ECE TYPE-APPROVAL OF PROTECTIVE HELMETS AND THEIR VISORS FOR DRIVERS
AND PASSENGERS OF MOTORCYCLES AND MOPEDS

DRAWING OF THE RETENTION SYSTEM (DD-RINGS)

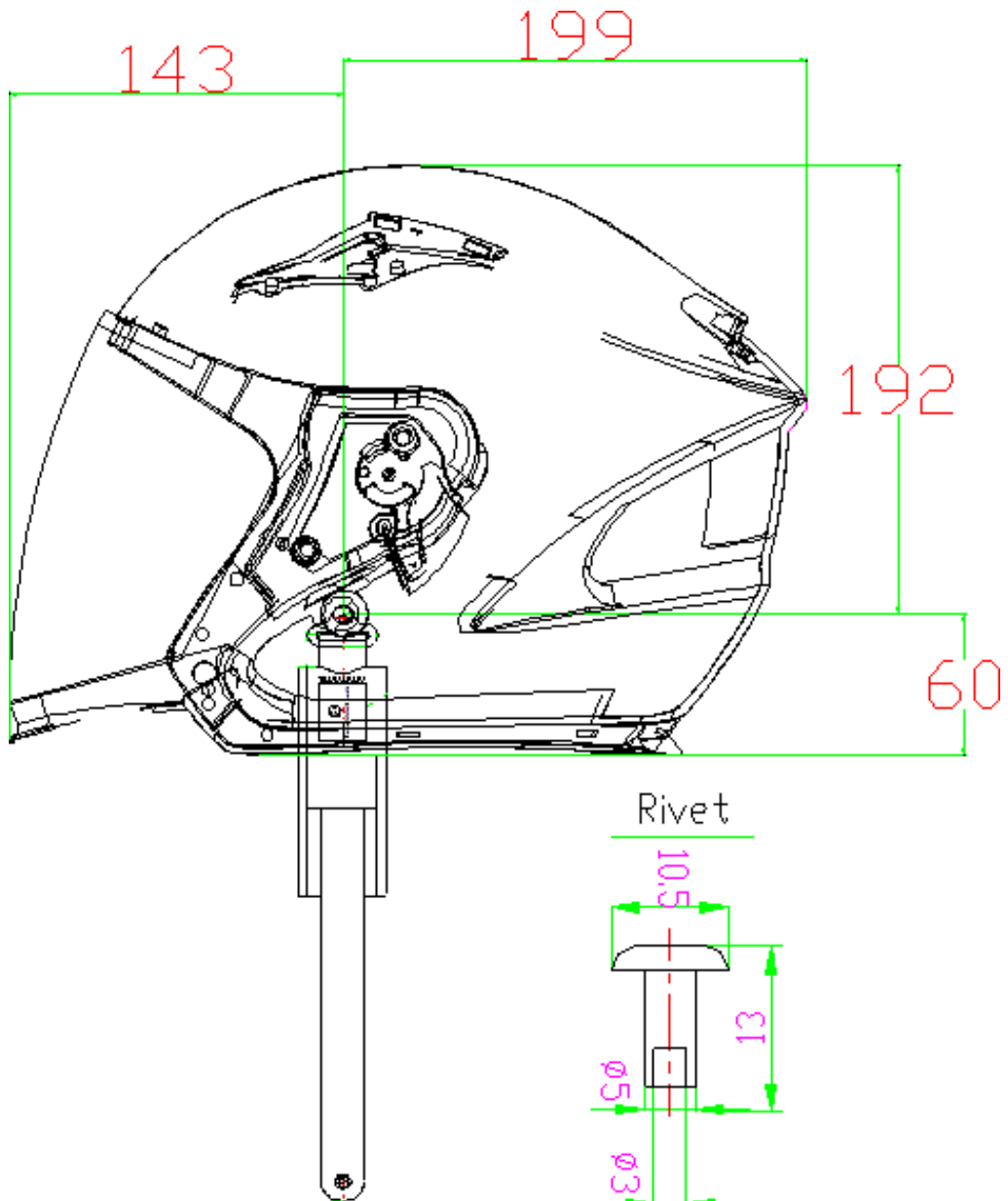


R22.05/ECE TYPE-APPROVAL OF PROTECTIVE HELMETS AND THEIR VISORS FOR DRIVERS AND PASSENGERS OF MOTORCYCLES AND MOPEDS

DRAWING OF THE RETENTION SYSTEM (StepMetic Lock buckle)

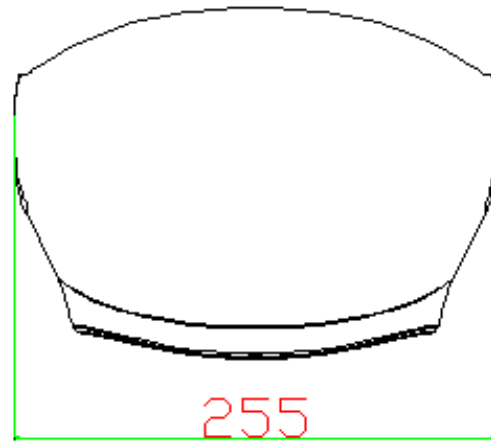
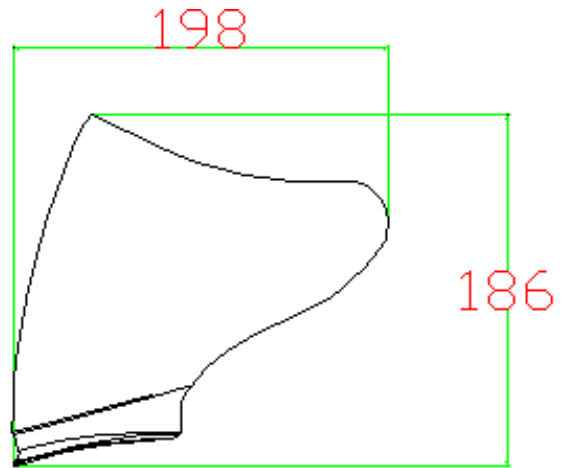
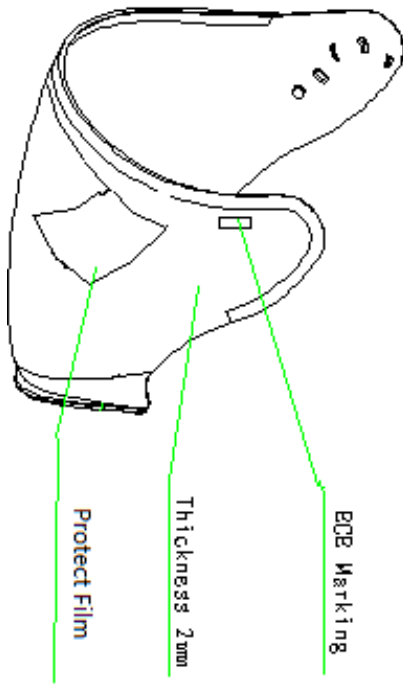


DRAWING OF THE RETENTION SYSTEM (POSITIONING)



R22.05/ECE TYPE-APPROVAL OF PROTECTIVE HELMETS AND THEIR VISORS FOR DRIVERS
AND PASSENGERS OF MOTORCYCLES AND MOPEDS

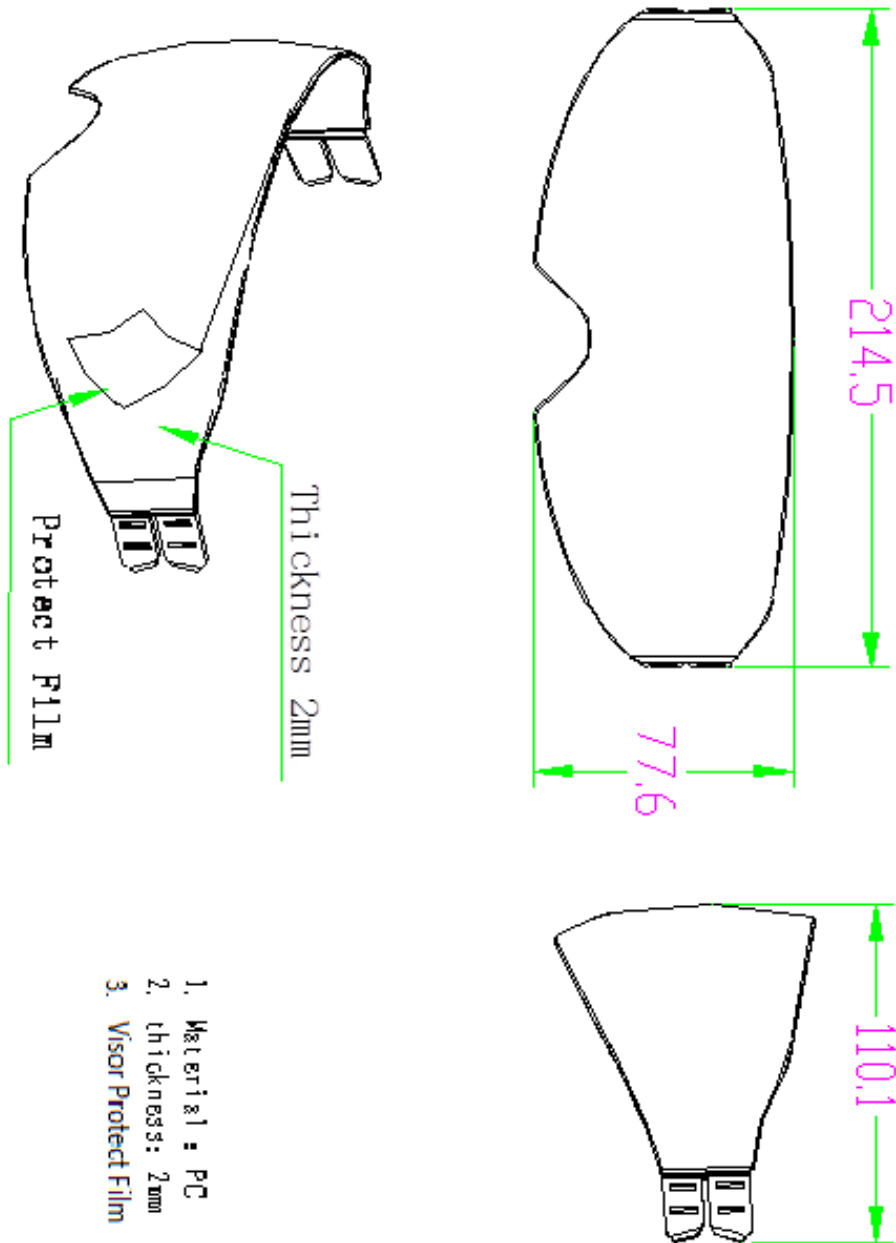
DRAWING OF THE VISOR



1. Material : PC
2. thickness: 2mm
3. Visor Protect Film

R22.05/ECE TYPE-APPROVAL OF PROTECTIVE HELMETS AND THEIR VISORS FOR DRIVERS
AND PASSENGERS OF MOTORCYCLES AND MOPEDS

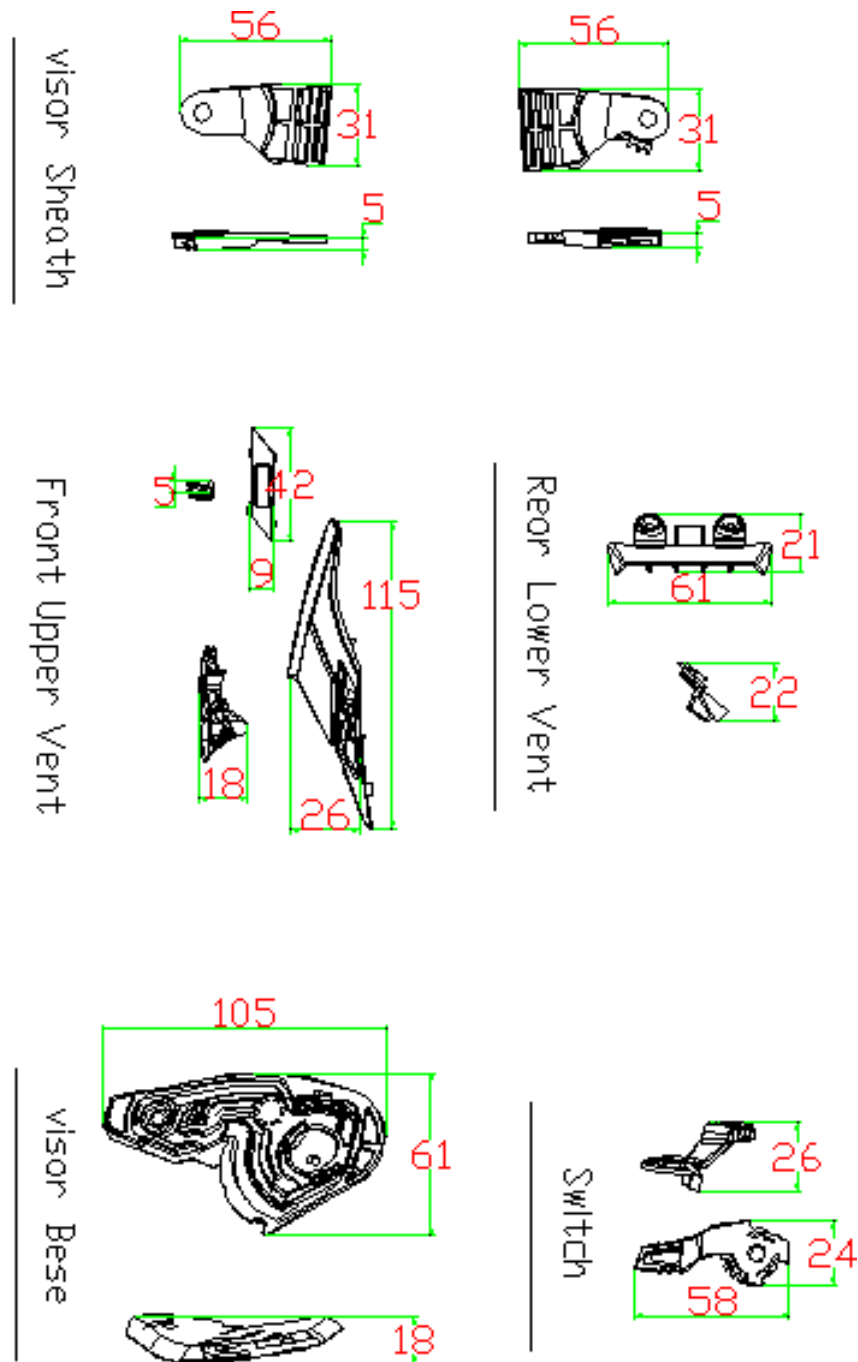
DRAWING OF THE SUNLIGHT FILTER



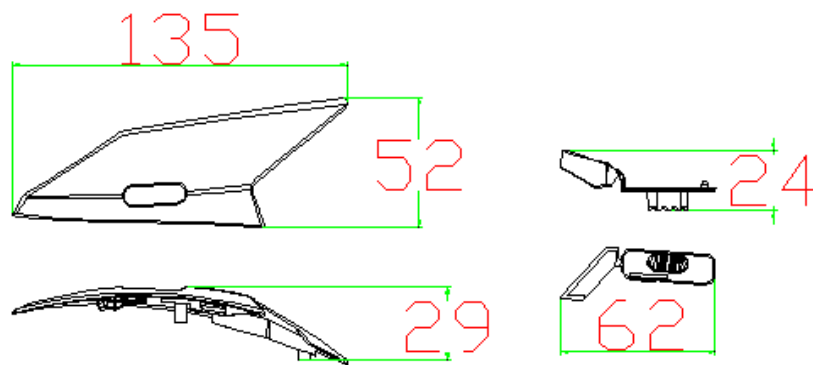
1. Material : PC
2. thickness: 2mm
3. Visor Protect Film

R22.05/ECE TYPE-APPROVAL OF PROTECTIVE HELMETS AND THEIR VISORS FOR DRIVERS AND PASSENGERS OF MOTORCYCLES AND MOPEDS

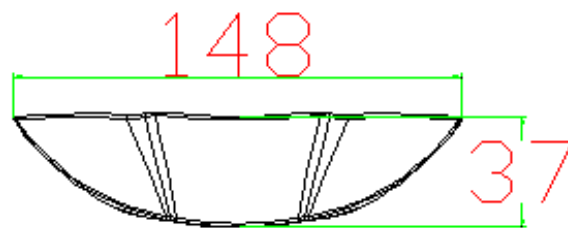
DRAWING OF THE VENTILATIONS AND RATCHETS (Variant AVENUE)



DRAWING OF THE VENTS (Variant AVENUE B)

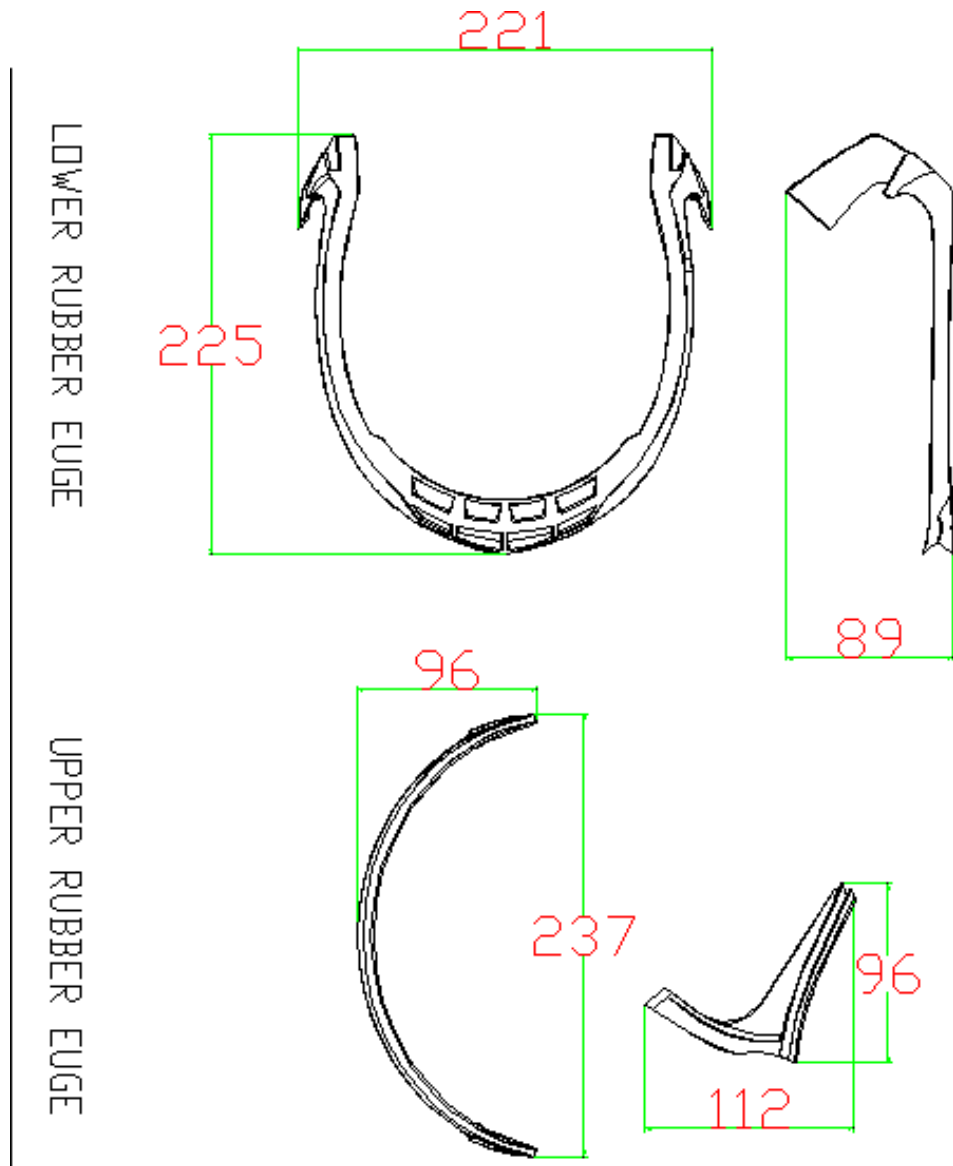


Front Upper Vent



Rear Lower Vent

DRAWING OF THE RUBBER EDGES



Type: AVENUE



DATE : SEP. 2019
EXT. : 04
PAGE : 22/22

R22.05/ECE TYPE-APPROVAL OF PROTECTIVE HELMETS AND THEIR VISORS FOR DRIVERS
AND PASSENGERS OF MOTORCYCLES AND MOPEDS

APPROVAL MARKING



05XXXX/J-XXX a/3

Model : AVENUE a/3

Remark :

a=8mm