



GRAND-DUCHÉ DE LUXEMBOURG

Ministère du Développement durable
et des Infrastructures
Département des Transports

L-2938 Luxembourg

SOCIÉTÉ NATIONALE DE
CERTIFICATION ET D'HOMOLOGATION
s a r l

Registre de Commerce: B 27180

L-5201 Sandweiler



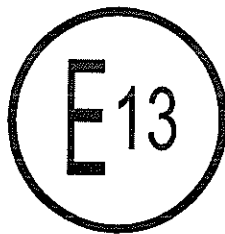
Référence: E13*22R00*22R05*10221*00

Annexes: - Rapport technique
- Fiche de renseignements du constructeur

Sandweiler, le 14 janvier 2015

Communication concernant ⁽²⁾:

Communication concerning ⁽²⁾:



- **la délivrance d'une homologation**
approval granted
- **l'extension d'homologation**
approval extended
- **le refus d'homologation**
approval refused
- **le retrait d'homologation**
approval withdrawn
- **l'arrêt définitif de la production**
production definitely discontinued

**d'un type de casque de protection sans / avec / un / plusieurs / type(s) d'écran
en application du Règlement N°22**

of a type of protective helmet ~~without~~ / with / one / ~~more~~ / visor type(s) pursuant to regulation N°22

Homologation N°:

Approval number:

E13*22R00*22R05*10221*00

Marque(s) d'homologation:

Approval mark(s):

Casque:

Helmet:



0510221/P-XXXX
FF325

Ecran(s):

Visor(s):

refer to manufacturer's information document

1. **Marque de fabrique ou de commerce:**

Trade mark:

MHR

Marque(s) de commerce:

Commercial mark(s):

MHR, LS2, TAKAI, SPYDER, Held, KOJI, AXO,
S-LINE, SPIRIT, SKULLY, BiLT, SEDICI, KENNY,
IXS, MAC, Zox

2. **Type:**

FF325

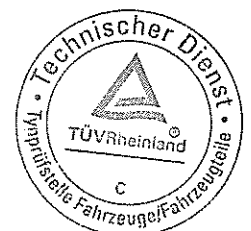
Version(s):

not applicable

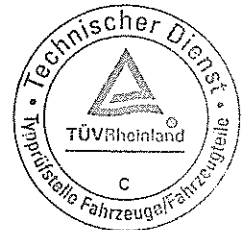
Dénomination(s) commerciale(s):

Commercial description(s):

not applicable



3. **Tailles:**
Sizes: XXS 51-52, XS 53-54, S 55-56, M 57-58, L 59-60, XL 61-62, XXL 63-64
4. **Nom du fabricant:**
Manufacturer's name: Jiangmen Pengcheng Helmets Ltd.
5. **Adresse du fabricant:**
Address of manufacturer: Ind. Park East, Gonghe Town, Heshan, Jiangmen City, Guangdong Province 529728, P.R. China
6. **Le cas échéant, nom de son représentant:**
If applicable, name of manufacturer's representative: not applicable
7. **Adresse du représentant:**
Address of manufacturer's representative: not applicable
8. **Description sommaire du casque:**
Brief description of helmet: The integral-faced helmet FF325 is composed of ABS shell (Acrylonitrile-Butadiene-Styrene). The protective padding is made of one EPS (Expanded Poly Styrene) size liner, one EPS crown liner at the top area, two EPS side liners and one EPS chin liner. The adoption to the different head sizes is done by different thickness of the size liner, and different thickness of the comfort padding.
9. **Casque dépourvu de protection maxillaire (J) muni d'une protection maxillaire intégrale (P) d'une protection maxillaire non-intégrale (NP) ⁽²⁾:**
Helmet without lower face cover (J)
with protective lower face cover (P)
with non-protective lower face cover (NP) ⁽²⁾: with protective lower face cover (P)
10. **Type de l'écran ou des écrans:**
Type of visor or visors: FF-MHR-50
11. **Description sommaire de l'écran ou des écrans:**
Brief description of visor or visors: Clear visor, made of Polycarbonate (PC) with hardened coating on the surface, and a thickness of 2.3 mm
12. **Présenté à l'homologation le:**
Submitted for approval on: 12.12.2014
13. **Autorité déléguée:**
Assigned authority: Société Nationale de Certification et d'Homologation L-5201 Sandweiler
- Service technique chargé des essais d'homologation:**
Technical service responsible for conducting approval tests: TÜV Rheinland Luxemburg GmbH
2a, Kalchesbruck
L-1852 Luxembourg
14. **Date du procès-verbal délivré par ce service:**
Date of report issued by that service: 24.12.2014
15. **Numéro du procès-verbal délivré par ce service:**
Number of report issued by that service: 85-R22-564/14-00
16. **Remarques:**
Comments: The helmet is equipped with an integrated sunvisor not tested according of item 6.15 of Regulation 22/05.
17. **Homologation ⁽²⁾:**
Approval ⁽²⁾: granted / extended / refused / withdrawn



18. **Lieu:** Sandweiler
Place:
19. **Date:** 14 janvier 2015
Date:
20. **Signature:**
Signature:

Pour le Département des Transports



Marco FELTES
Inspecteur Principal 1^{er} en rang

Pour la SNCH



Claude LIESCH
Directeur

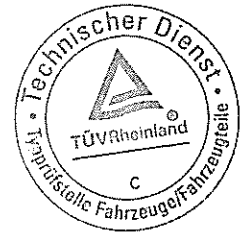


21. **Les documents suivants portant le numéro d'homologation indiqué ci-dessus peuvent être obtenus sur demande:**
The following documents, bearing the approval number shown above, are available on request:

see: INDEX to TYPE-APPROVAL REPORT

Modifications faisant l'objet de la présente extension:
Reason for extension:

not applicable



(2) **Biffer les mentions inutiles.**
Strike out what does not apply.



GRAND-DUCHÉ DE LUXEMBOURG

Ministère du Développement durable
et des Infrastructures
Département des Transports

L-2938 Luxembourg

SOCIÉTÉ NATIONALE DE
CERTIFICATION ET D'HOMOLOGATION
s.à r.l.

Registre de Commerce: B 27180



L-5201 Sandweiler

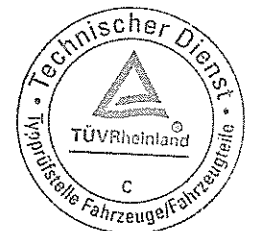
Référence: E13*22R00*22R05*10221*00

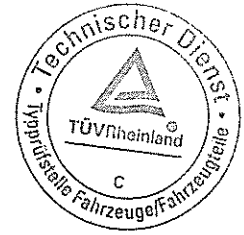
Annexes: - Rapport technique
- Fiche de renseignements du constructeur

Sandweiler, le 14 janvier 2015

INDEX DU DOSSIER D'HOMOLOGATION INDEX TO TYPE-APPROVAL REPORT

Numéro d'homologation: Approval number:	E13*22R00*22R05*10221*00
Révision: Revision:	00
Marque de fabrique ou de commerce: Trade name or mark:	MHR
Type: Type:	FF325
1. Procès-verbal d'essai: Test report:	N° 85-R22-564/14-00
- Technical report:	Pages 1 to 4;
- List of modifications:	Appendix 0 - Page 5;
- Technical information:	Appendix L - Page 6;
- Test minutes:	Appendix 1 - Pages 7 to 14.
2. Dossier du constructeur: Report of the manufacturer:	N° MHR-FF325-00
- Content of information folder:	Page 1;
- Information folder:	refer to content of manufacturer's information document.
3. Autres documents annexés: Other documents annexed:	not applicable
4. Date de délivrance de l'homologation initiale: Date of issue of initial type approval:	14.01.2015
5. Date de la dernière délivrance de pages révisées: Date of last issue of revised pages:	not applicable
6. Date de la dernière délivrance d'une homologation révisée: Date of last extension:	not applicable





TEST REPORT

according with ECE-Regulation

Protective helmets and their visors for drivers and passengers of motor cycles and mopeds

ECE-R22

including all amendments

Amend. 05, Suppl. 2

E13*22R00*22R05*10221*00
Société Nationale de Certification et d'Homologation
L-5201 SANDWEILER (Luxembourg)
Organisme accrédité OLAS EN 45011
Accréditation N° 5/001 (Portée communiquée sur demande)

Previously granted	
ECE – approval	: ---

Structure of report :

0. General
1. Test object(s)
2. Test minutes
3. Comments to test object
4. Appendices
5. Statement of conformity

Manufacturer : Jiangmen Pengcheng Helmets Ltd.
Type : FF325

- 0. General**
- 0.1. Trade name or mark : MHR
- Commercial mark(s) : MHR, LS2, TAKAI, SPYDER, Held, KOJI, AXO, S-LINE, SPIRIT, SKULLY, BILT, SEDICI, KENNY, IXS, MAC, Zox
- 0.2. Type : FF325
- Commercial description(s) : ---
- Version(s) : ---
- 0.3. Helmet category : P (acc. 5.1.4.1.2.1 of ECE-R22.05)
- 0.4. Name and address of the manufacturer : Jiangmen Pengcheng Helmets Ltd.
Ind. Park East, Gonghe Town, Heshan,
Jiangmen City, Guangdong Province 529728,
P.R. China
- of the authorized representative : Not applicable
- 0.5. Number of information folder : MHR-FF325-00
Date : December 17, 2014
- Revision status : not applicable
- 1. Test object(s)**
- 1.1. Description
- Identification number : Prototype, marking after granting ECE-approval
Type : FF325
- 1.1.1. Structure of the helmet : The integral-faced helmet FF325 is composed of ABS shell (Acrylonitrile-Butadiene-Styrene). The protective padding is made of one EPS (Expanded Poly Styrene) size liner, one EPS crown liner at the top area, two EPS side liners and one EPS chin liner.
The adoption to the different head sizes is done by different thickness of the size liner, and different thickness of the comfort padding.
The helmet type is equipped with an integrated sunvisor not tested according to item 6.15 of Regulation 22/05.
- 1.1.2. Structure of visor : Clear visors, made of Polycarbonate (PC) with hardened coating on the surface, and a thickness of 2.3 mm

E13*22R00*22R05*10221*00
Société Nationale de Certification et d'Homologation
L-5201 SANDWEILER (Luxembourg)
Organisme accrédité OLAS EN 45011
Accreditation N° 5/001 (Portée communiquée sur demande)

Manufacturer : Jiangmen Pengcheng Helmets Ltd.
Type : FF325

- 1.1.3 List of parts : See information document of the manufacturer
- 1.1.4 Location of the marking : The ECE-label is sewed on the chinstrap.
- 1.1.5. Helmet sizes : XXS 51-52, XS 53-54, S 55-56, M 57-58, L 59-60, XL 61-62, XXL 63-64
- 1.1.6. material of the outer shell : ABS (Acrylonitrile-Butadiene-Styrene)
- 1.1.7. material of the visor : Polycarbonat (PC)
- 1.1.8. marking of the visor : Approval number
FF-MHR-50
- 1.2. Remarks : Without
- 2. Test minutes**
- 2.1. Test equipment : The measurement equipment used was in compliance with the test requirements.
- 2.2. Test results
- 2.2.1. Summary of test results : See test minutes Appendix 1
- 2.3. General information about the tests
- 2.3.1. Test object received on : December 12, 2014
- 2.3.2. Test date : December 12, 2014
- 2.3.3. Test site : TÜV Rheinland (Guangdong) Ltd.
Guangzhou Helmet Laboratory
Room 103, Building A, No. 11 Jingye 3rd Street,
Yushu Industrial Park, Guangzhou Science City,
Guangzhou 510663, P.R. China
- 2.3.4. Remark : The results of the test refer exclusively to the object(s) mentioned at point 1 of this report.

Manufacturer : Jiangmen Pengcheng Helmets Ltd.
Type : FF325

3. **Comments to the test object** : ---

4. **Appendices**

0 List of modifications

L Technical description of type and communication concerning the ECE-approval

1 Test minutes : Appendix 1

Information folder : MHR-FF325-00 (25 pages)

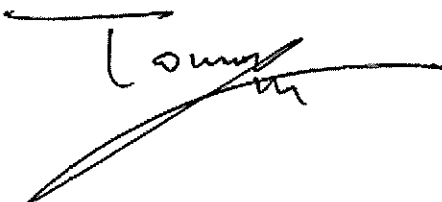
5. **Statement of conformity**

The information folder and the type described there comply with the requirements in the above mentioned directive/regulation.

The test report comprises - including appendices 0 to 1 – the pages 1 to 14 and shall not be reproduced except in full without the written approval of the testing laboratory.

Engineering centre Shanghai, December 24, 2014

TYT / JWP



M.S. Tony Yan
Expert Technical Service

Manufacturer : Jiangmen Pengcheng Helmets Ltd.
Type : FF325



List of modifications

Appendix 0

Correction of : ---
Modification of : ---
Addition of : ---
Deletion of : ---

E13*22R00*22R05*10221*00
Société Nationale de Certification et d'Homologation
1-5201 SANDWEHLER (Luxembourg)
Organisme accrédité OLAS EN 45011
Accréditation N° 5/001 (Portée communiquée sur demande)

Manufacturer : Jiangmen Pengcheng Helmets Ltd.
Type : FF325



Technical description of type and communication concerning the ECE-approval

Appendix L

1. **Trade mark** : MHR
Commercial mark(s) : MHR, LS2, TAKAI, SPYDER, Held, KOJI, AXO, S-LINE, SPIRIT, SKULLY, BiLT, SEDICI, KENNY, IXS, MAC, Zox
2. **Type** : FF325
Commercial description(s) : ---
Version(s) : ---
3. **Sizes** : XXS 51-52, XS 53-54, S 55-56, M 57-58, L 59-60, XL 61-62, XXL 63-64
4. **Manufacturer's name** : Jiangmen Pengcheng Helmets Ltd.
5. **Address** : Ind. Park East, Gonghe Town, Heshan, Jiangmen City, Guangdong Province 529728, P.R. China
6. **If applicable, name of manufacturer's representative** : Not applicable
7. **Address** : Not applicable
8. **Brief description of helmet** : The integral-faced helmet FF325 is composed of ABS shell (Acrylonitrile-Butadiene-Styrene). The protective padding is made of one EPS (Expanded Poly Styrene) size liner, one EPS crown liner at the top area, two EPS side liners and one EPS chin liner. The adoption to the different head sizes is done by different thickness of the size liner, and different thickness of the comfort padding. The helmet type is equipped with an integrated sunvisor not tested according to item 6.15 of Regulation 22/05.
9. **Helmet** : With protective lower face cover (P)
10. **Type of visor or visors** : FF-MHR-50, approval mark E9-05.1700-00
11. **Brief description of visor or visors** : Clear visors, made of Polycarbonate (PC) with hardened coating on the surface, and a thickness of 2.3 mm
12. **Submitted for approval on** : December 12, 2014
14. **Date of report issued by that service** : December 24, 2014

E13*22R00*22R05*10221*00
Société Nationale de Certification et d'Homologation
L-5201 SANDWEILER (Luxembourg)
Organisme accrédité OLAS EN 45011
Accréditation N° 5/001 (Portée communiquée sur demande)

Manufacturer : Jiangmen Pengcheng Helmets Ltd.
Type : FF325

1. General

Appendix 1

- 1.1. Make : MHR
- Commercial mark(s) : MHR, LS2, TAKAI, SPYDER, Held, KOJI, AXO, S-LINE, SPIRIT, SKULLY, BILT, SEDICI, KENNY, IXS, MAC, Zox
- 1.2. Type : FF325
- Commercial description(s) : ---
- Version(s) : ---
- Technical description helmet : The integral-faced helmet FF325 is composed of ABS shell (Acrylonitrile-Butadiene-Styrene). The protective padding is made of one EPS (Expanded Poly Styrene) size liner, one EPS crown liner at the top area, two EPS side liners and one EPS chin liner.
- E13*22R00*22R05*10221*00
Société Nationale de Certification et d'Homologation
L-5201 SANDWEILER (Luxembourg)
Organisme accrédité OLAS EN 45011
Accréditation N° 5/001 (Portée communiquée sur demande)
- The adoption to the different head sizes is done by different thickness of the size liner, and different thickness of the comfort padding.
- The helmet type is equipped with an integrated sunvisor not tested according to item 6.15 of Regulation 22/05.
- Technical description visor : Clear visors, made of Polycarbonate (PC) with hardened coating on the surface, and a thickness of 2.3 mm
- 1.3. Name and address of manufacturer : Jiangmen Pengcheng Helmets Ltd.
Ind. Park East, Gonghe Town, Heshan,
Jiangmen City, Guangdong Province 529728,
P.R. China
- 1.4. Name and address of manufacturer's authorized representative : Not applicable
- 2. General arrangement of the helmet**
- 2.1. General requirements : The requirements of the covered zones are fulfilled for all helmet-sizes.

Manufacturer : Jiangmen Pengcheng Helmets Ltd.
Type : FF325

There are projections of the outer shell, greater than 2 mm. All external projections have a radius ≥ 1 mm, respectively ≥ 2 mm for external projections which are more than 2 mm above the outer shell. The here described parts are rounded and konvex to the outer shell surface. The outer shell is smooth in the meaning of the requirement. Under a load of 150 N the width of the chin strap is ≥ 20 mm. The chin strap is covered with an additional comfort padding.

The helmet is equipped with Double-D ring or automatic buckle.

The free end of the chin strap is adjusted.

Means are provided to prevent the retention system being completely undone.

Manufacturer-information about size and weight are located on the outer shell by adhesive label(s). Additional consumer information, in accordance to the ECE-R22, is given by the owners manual, which is enclosed to the offered helmet.

The helmet is not equipped with retro reflective parts in accordance to the item 6.16 of the ECE-R22.

: The determined values of acceleration were below the limit of 275g at an impact speed of 7,5 m/s (esp. 5,5 m/s at point S). The HIC-values were below the limit of 2400.

E13*22R00*22R05*10221*00
Société Nationale de Certification et d'Homologation
L-5201 SANDWEILER (Luxembourg)
Organisme accrédité OLAS EN 45011
Accréditation N° 5/001 (Portée communiquée sur demande)

2.2. Shock-absorption-tests

helmet size : XXS 51-52
test-head-size : 50
anvil : Flat (Helm. 1), Kerbstone (Helm. 2)

Conditioning	Impact point	Res. acceleration [g]	HIC [-]
Helmet 1 Low Temp. (-20°C)	B	138	888
	XR	207	1611
	P	183	1684
	R	180	1239
	S	47	122
Helmet 2 High Temp. (+50°C)	B	133	943
	XR	149	1031
	P	222	1185
	R	186	1122
	S	---	---

Manufacturer : Jiangmen Pengcheng Helmets Ltd.
Type : FF325



helmet size : XS 53-54
test-head-size : 54
anvil : Flat (Helm. 3), Kerbstone (Helm. 4)

Conditioning	Impact point	Res. acceleration [g]	HIC [-]
Helmet 3 Low Temp. (-20°C)	B	179	1326
	XR	240	1737
	P	184	1798
	R	202	1619
	S	119	281
Helmet 4 High Temp. (+50°C)	B	224	1342
	XR	251	1847
	P	153	1160
	R	140	956
	S	---	---

helmet size : S 55-56
test-head-size : 54
anvil : Flat (Helm. 5), Kerbstone (Helm. 6)

Conditioning	Impact point	Res. acceleration [g]	HIC [-]
Helmet 5 Low Temp. (-20°C)	B	189	1387
	XR	247	1865
	P	165	1448
	R	187	1521
	S	98	215
Helmet 6 High Temp. (+50°C)	B	188	1265
	XR	241	1766
	P	157	1202
	R	155	1087
	S	---	---

F13*22R00*22R05*10221*00
Société Nationale de Certification et d'Homologation
L-5201 SANDWILLER (Luxembourg)
Organisme accrédité OLAS EN 45011
Accréditation N° 5/001 (Portée communiquée sur demande)

Manufacturer : Jiangmen Pengcheng Helmets Ltd.
Type : FF325



helmet size	: M 57-58		
test-head-size	: 57		
anvil	: Flat (Helm. 7), Kerbstone (Helm. 8)		
Conditioning	Impact point	Res. acceleration [g]	HIC [-]
Helmet 7	B	199	1560
Low Temp. (-20°C)	XR	232	1539
	P	163	1336
	R	194	1401
	S	134	319
Helmet 8	B	190	1218
High Temp. (+50°C)	XR	244	1525
	P	146	1124
	R	140	960
	S	---	---

helmet size : L 59-60
test-head-size : 60
anvil : Flat (Helm. 9), Kerbstone (Helm. 10)

Conditioning	Impact point	Res. acceleration [g]	HIC [-]
Helmet 9	B	184	1304
Low Temp. (-20°C)	XR	237	1718
	P	153	1417
	R	200	1517
	S	160	456
Helmet 10	B	203	1298
High Temp. (+50°C)	XR	153	1040
	P	120	892
	R	169	1072
	S	---	---

E13*22R00*22R05*10221*00
Société Nationale de Certification et d'Homologation
1-5201 SANDWEILER (Luxembourg)
Organisme accrédité O.L.A.S. EN 45011
Accréditation N° 5/001 (Portée communiquée sur demande)

Manufacturer : Jiangmen Pengcheng Helmets Ltd.
Type : FF325



helmet size : XL 61-62
test-head-size : 62
anvil : Flat (Helm. 11), Kerbstone (Helm. 12)

Conditioning	Impact point	Res. acceleration [g]	HIC [-]
Helmet 11 Low Temp. (-20°C)	B	206	1350
	XR	225	1549
	P	145	1271
	R	183	1278
	S	183	453
Helmet 12 High Temp. (+50°C)	B	239	1319
	XR	182	1070
	P	114	826
	R	154	987
	S	---	---

helmet size : XL 61-62
test-head-size : 62
anvil : Flat (Helm. 13), Kerbstone (Helm. 14)

Conditioning	Impact point	Res. acceleration [g]	HIC [-]
Helmet 13 Ambient	B	171	1181
	XL	232	1605
	P	142	1258
	R	193	1398
	S	---	---
Helmet 14 Ambient	B	234	1353
	XL	147	913
	P	111	834
	R	180	1075
	S	---	---

E13*22R00*22R05*10221*00

Societe Nationale de Certification et d'Homologation
1-5201 SANDWEILER (Luxembourg)
Organisme accredite OLAS EN 45011
Accreditation N° 5/001 (Portee communiquee sur demande)

2.3. Dynamical Test of the retention system

Helmet size	XXS 51-52 (with DD Ring)	XXS 51-52 (with NO.1 buckle)	XXS 51-52 (with NO.2 buckle)	Limits
Test head size	52	52	52	
Dynamic movement (mm)	30.9	33.8	31.8	≤ 35 mm
Permanent movement after 2 min. (mm)	19.8	23.6	21.8	≤ 25 mm

Helmet size	L 59-60 (with DD Ring)	L 59-60 (with NO.1 buckle)	L 59-60 (with NO.2 buckle)	Limits
Test head size	60	60	60	
Dynamic movement (mm)	30.9	32.9	30.8	≤ 35 mm
Permanent movement after 2 min. (mm)	17.4	17.7	13.8	≤ 25 mm

2.4. Test of field of vision

Helmet size	XXS 51-52	L 59-60	Limits
Test head size	52	60	
Vertical angle of vision (°)			
Upwards	7	7	≥ 7°
Downwards	48	50	≥ 45°
Horizontal angle of vision (°)	212	216	≥ 210°

E13*22R00*22R05*10221*00
Societe Nationale de Certification et d'Homologation
L-5201 SANDWEILER (Luxembourg)
Organisme accredite OLAS EN 45011
Accreditation N° 5/001 (Portee communiquée sur demande)

Manufacturer : Jiangmen Pengcheng Helmets Ltd.
Type : FF325

2.5. Rigidity-test

Helmet size	XL 61-62	Limits
Deformation under load (mm)		
Along the longitudinal axis	15.0	≤ 40 mm
Along the transversal axis	14.0	≤ 40 mm
Permanent deformation after 5 min		
Along the longitudinal axis	6.0	≤ 15 mm
Along the transversal axis	4.0	≤ 15 mm

2.6. Retention (detaching) test

Helmet size	XXS 51-52 (with DD Ring)	XXS 51-52 (with NO.1 buckle)	XXS 51-52 (with NO.2 buckle)	Limits
Test head size	52	52	52	
Movement of the reference line (°)	29	27	25	≤ 30°

Helmet size	L 59-60 (with DD Ring)	L 59-60 (with NO.1 buckle)	L 59-60 (with NO.2 buckle)	Limits
Test head size	60	60	60	
Movement of the reference line (°)	27	27	25	≤ 30°

E13*22R00*22R05*10221*00
Société Nationale de Certification et d'Homologation
L-5201 SANDWEILER (Luxembourg)
Organisme accrédité OLAS EN 45011
Accréditation N° 5:001 (Portée communiquée sur demande)

Manufacturer : Jiangmen Pengcheng Helmets Ltd.
Type : FF325



2.7. Chin strap and buckle test

1.	Operation force of the automatic buckle according 7.11.2. Measured at static load of 150 N		
Helmet size	XXS 51-52	L 59-60	Limits
Test head size	52	60	
Opening force (N)	NO.1 buckle: < 30 N NO.2 buckle: < 30 N		≤ 30 N
2.	Resistance of the automatic buckle according 7.11.2. The load of 2000 N at the automatic buckles made no fracture or disengage. After the test the automatic buckle was still be capable of operation.		
3.	Microslip-test of the chin strap according 7.9		
	DD Ring < 5.0 mm NO.1 buckle < 5.0 mm NO.2 buckle < 5.0 mm	≤ 10 mm	
4.	Abrasion test the chin strap according 7.10. Not necessary in acc. with 7.10 (a), because the movement of the chin strap after 500 cycles was less than 5 mm		

2.8. Shear assessment test for projections or irregularities in the outer surface according 7.4.2

Helmet size	XL 61-62	
Test head size	62	
	Test with positive result at the following points of the outer shell:	
1.	Front air vent sliding tangential at the projection	Positive

2.9. Test for friction assessment in acc. with 7.4.2

	The requirements are fulfilled.
--	---------------------------------

2.10. Visor tests

1. Mechanical characteristics in acc. to 7.8.2	
Helmet size	XL 61-62
Test head size	62
Conditioning of the visor	Low temp. (-20 °C)
Visor test piece 1	positive, no penetration, no sharp splinter
Visor test piece 2	positive, no penetration, no sharp splinter
Visor test piece 3	positive, no penetration, no sharp splinter
2. Optical characteristics and scratch resistance in acc. to 7.8.3 Refer to visor type approval E9-05.1700-00	

Jiangmen Pengcheng Helmets Ltd.

Information folder No. MHR-FF325-00

Application date: December 17, 2014

Content

DOCUMENT	PAGE
Technical description	2-3
Assembly drawing	4
Material list of parts	5
Helmet section view	6-7
Impact absorption material thickness	8
Dimension and weight of helmet (tolerances incorporated)	9
EPS details	10-13
Retention system	14-16
Retention system position	17-18
Retention system operation	19-21
Drawings and details for visor	22
Drawings and details for Sunlight Filter	23
Approval marking(s)	24
Helmet assembly pictures	25

E13*22R00*22R05*10221*00
Société Nationale de Certification et d'Homologation
L-5201 SANDWEILER (Luxembourg)
Organisme accrédité OI AS EN 45011
Accreditation N° 5/001 (Portée communiquée sur demande)

Type FF325

Page 1 of 25

Jiangmen Pengcheng Helmets Ltd.

Information folder No. MHR-FF325-00

Application date: December 17, 2014

INFORMATION DOCUMENT FOR TYPE-APPROVAL OF PROTECTIVE HELMETS AND/ ~~OR¹ OF THEIR VISORS~~ FOR DRIVERS AND PASSENGERS OF MOTOR CYCLES AND MOPEDS

1. Make (trade name or mark of the manufacturer) : MHR
Commercial mark(s) : MHR, LS2, TAKAI, SPYDER, Held, KOJI, AXO, S-LINE, SPIRIT, SKULLY, BILT, SEDICI, KENNY, IXS, MAC, Zox
2. Type : FF325
Commercial description(s) : ---
Version : ---
3. Sizes : XXS 51-52, XS 53-54, S 55-56, M 57-58, L 59-60, XL 61-62, XXL 63-64
4. Name of the manufacturer : Jiangmen Pengcheng Helmets Ltd.
5. Address of the manufacturer : Ind. Park East, Gonghe Town, Heshan, Jiangmen City, Guangdong Province 529728, P.R. China
6. Name of the manufacturer's representative : not applicable
7. Address of the manufacturer's representative : not applicable
Brief description of the helmet : Protective helmet equipped with visor for drivers and passengers of mopeds and motorcycles
and / or¹
Brief description of visor

NOTE:

¹ strikethrough where not applicable

E13*22R00*22R05*10221*00
Société Nationale de Certification et d'Homologation
L-5201 SANDWEIJER (Luxembourg)
Organisme accrédité OLAS EN 45011
Accréditation N° 5/001 (Portée communiquée sur demande)

	Type	FF325
	Page	2 of 25

Jiangmen Pengcheng Helmets Ltd.

Information folder No. MHR-FF325-00

Application date: December 17, 2014

ADDITIONAL INFORMATION

~~Helmet without lower face cover (J) / with protective lower face cover (P) / with non protective lower face cover (NP)~~

Type of visor or visors : FF-MHR-50 (E9-05.1700-00)

~~Types of helmet to which the visor may be fitted~~

Name and address of assembly plant : Jiangmen Pengcheng Helmets Ltd.
Ind. Park East, Gonghe Town, Heshan,
Jiangmen City, Guangdong Province 529728,
P.R. China

Applicable regulation : ECE-R22, 05 series of amendments

NOTE:

¹ strike through where not applicable

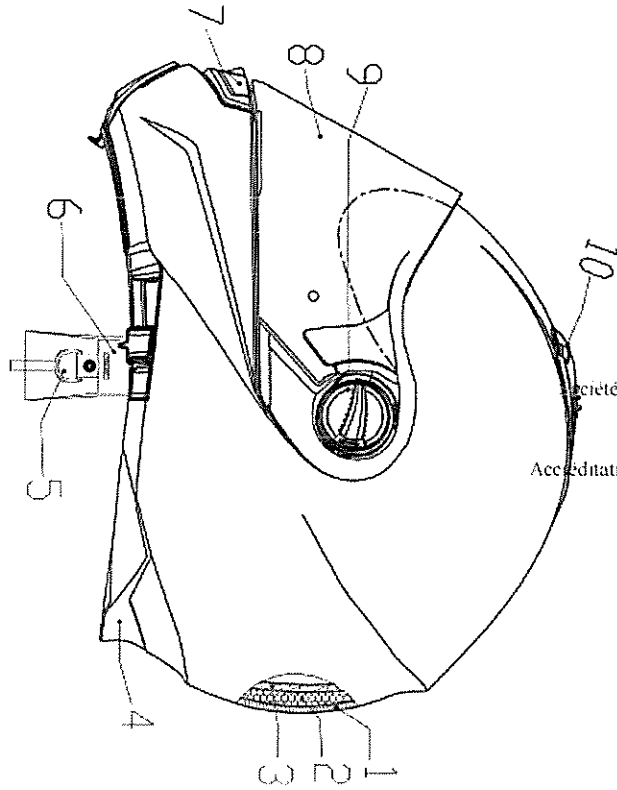
E13*22R00*22R05*10221*00
Société Nationale de Certification et d'Homologation
L-5201 SANDWILER (Luxembourg)
Organisme accrédité OLAS EN 45011
Accréditation N° 5/001 (Portée communiquée sur demande)

	Type	FF325
	Page	3 of 25

Jiangmen Pengcheng Helmets Ltd.

Information folder No. MHR-FF325-00

Application date: December 17, 2014



E13*22R00*22R05*10221*00
 Société Nationale de Certification et d'Homologation
 L-5201 SANDWEILER (Luxembourg)
 Organisme accrédité OLAS EN 45011
 Accréditation N° 5/001 (Portée communiquée sur demande)

序号 number	名称 name	单位 unit	数量 piece	材料 material
1	壳体 Outer shell	个 piece	1	abs
2	泡沫 protective padding	个 piece	5	eps
3	内衬 comfort padding	套 set	1	nylon
4	下颚边 rubber ring	条 unit	1	pvc
5	快速扣加型金属环扣 buckle/Double Dr-rings	套 set	1	stainless steel
6	下巴带 chin strap	条 unit	2	nylon
7	下巴风窗 mouth vent	套 set	1	abs
8	镜片 visor	个 piece	1	pc
9	底座 Rotchet system	套 set	2	pom
10	顶前风窗 top vent	个 piece	1	abs

DRW.

FF325-01

Assembly Drawing

Type FF325

Page 4 of 25

Jiangmen Pengcheng Helmets Ltd.

Information folder No. MHR-FF325-00

Application date: December 17, 2014

Part No.	Subject or name	Material
1	Outer shell	ABS
2	Protective padding	EPS
3	Comfort padding	Nylon
4	Rubber trim	ABS
5	Buckle	A3 / stainless steel
6	Chin strap	Nylon
7	Mouth vent	ABS
8	Visor	PC
9	Ratchet system	POM
10	Top vent	ABS / PC

E13*22R00*22R05*10221*00
Société Nationale de Certification et d'Homologation
L-5201 SANDWEILER (Luxembourg)
Organisme accrédité OLAS EN 45011
Accréditation N° 5/001 (Portée communiquée sur demande)

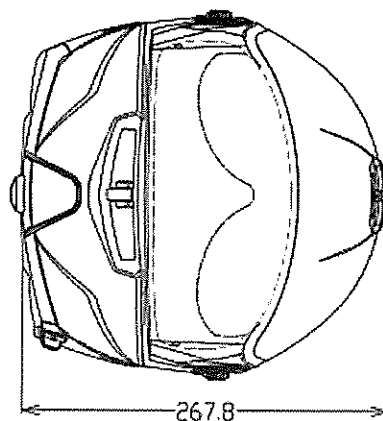
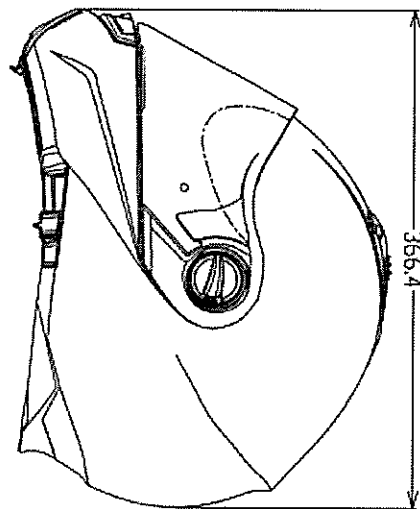
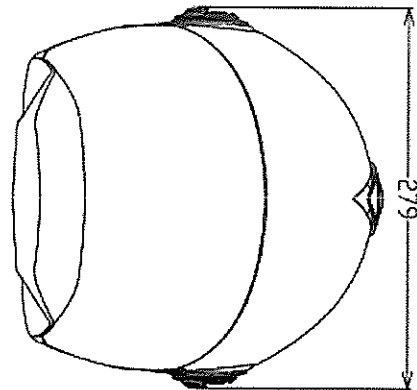
Material list of parts

	Type	FF325
	Page	5 of 25

Jiangmen Pengcheng Helmets Ltd.

Information folder No. MHR-FF325-00

Application date: December 17, 2014



E13*22R00*22R05*10221*00
 Société Nationale de Certification et d'Homologation
 L-5201 SANDWEHLER (Luxembourg)
 Organisme accrédité OLAS EN 45011
 Accréditation N° 5/001 (Portée communiquée sur demande)

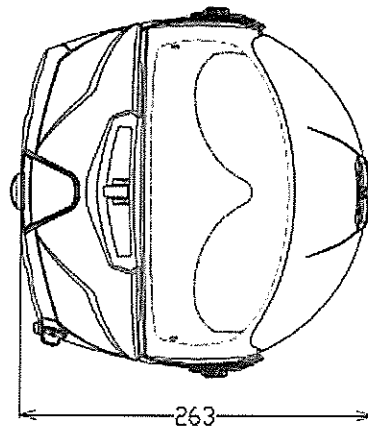
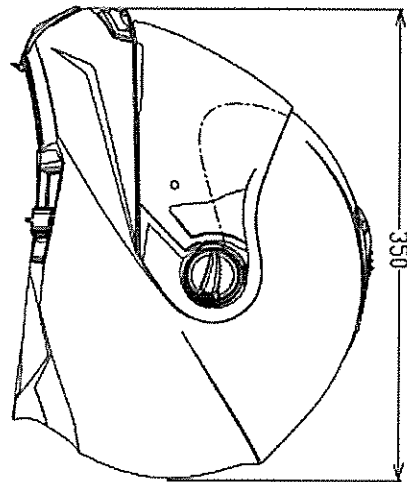
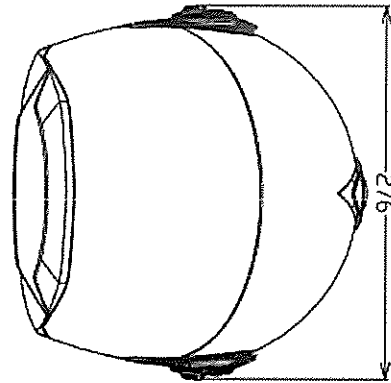
DRW.	FF325-02	Helmet section view (for SIZE L-XXL)
------	----------	---

	Type	FF325
	Page	6 of 25

Jiangmen Pengcheng Helmets Ltd.

Information folder No. MHR-FF325-00

Application date: December 17, 2014



E13*22R00*22R05*10221*00
Société Nationale de Certification et d'Homologation
L-5201 SANDWEILER (Luxembourg)
Organisme accrédité OLAS EN 45011
Accréditation N° 5/001 (Portée communiquée sur demande)

DRW.	FF325-03	Helmet section view (for SIZE XXS-M)
------	----------	---

	Type	FF325
	Page	7 of 25

Jiangmen Pengcheng Helmets Ltd.**Information folder No. MHR-FF325-00**

Application date: December 17, 2014

Impact absorption material thickness in millimeter, SHELL

Size	Section B-Point	Section P-Point	Section R-Point	Section X-Point	Lower Face cover
XXS	3.0	3.0	3.0	3.0	2.0
XS	3.0	3.0	3.0	3.0	2.0
S	3.0	3.0	3.0	3.0	2.0
M	3.0	3.0	3.0	3.0	2.0
L	3.0	3.0	3.0	3.0	2.0
XL	3.0	3.0	3.0	3.0	2.0
XXL	3.0	3.0	3.0	3.0	2.0

Impact absorption material thickness in millimeter, LINER

Size	Section B-Point	Section P-Point	Section R-Point	Section X-Point
XXS	38.8	42.0	42.7	29.4
XS	34.8	42.0	38.7	23.4
S	34.8	42.0	38.7	23.4
M	33.0	42.0	36.7	23.4
L	34.5	44.5	35.2	22.9
XL	34.5	44.5	35.2	22.9
XXL	34.5	44.5	35.2	22.9

Impact absorption material thickness in millimeter, LINING

Size	Section B-Point	Section P-Point	Section R-Point	Section X-Point	Side Part Lining
XXS	14	20	14	14	35
XS	14	20	14	14	35
S	10	20	10	10	35
M	10	20	10	10	35
L	14	20	14	14	35
XL	10	20	10	10	35
XXL	6	20	6	6	35

	Type	FF325
	Page	8 of 25

Jiangmen Pengcheng Helmets Ltd.

Information folder No. MHR-FF325-00

Application date: December 17, 2014

E13*22R00*22R05*10221*00

Dimension and weight

Société Nationale de Certification et d'Homologation

L-5201 SANDWEILER (Luxembourg)

Organisme accrédité OLAS EN 45011

Accreditation N° 5/001 (Portée communiquée sur demande)

1. Dimension of the shell:

SIZE	Length (mm)	Width (mm)	Height (mm)
XXL-L	366.4	279	267.8
M-XXS	350.0	276.0	263.0

2. Total weight of the helmet:

Size	Weight (g)	Tolerance (g)
XXS	1500	± 50
XS	1500	± 50
S	1500	± 50
M	1650	± 50
L	1700	± 50
XL	1700	± 50
XXL	1700	± 50

3. Specific gravity of the impact absorption liner

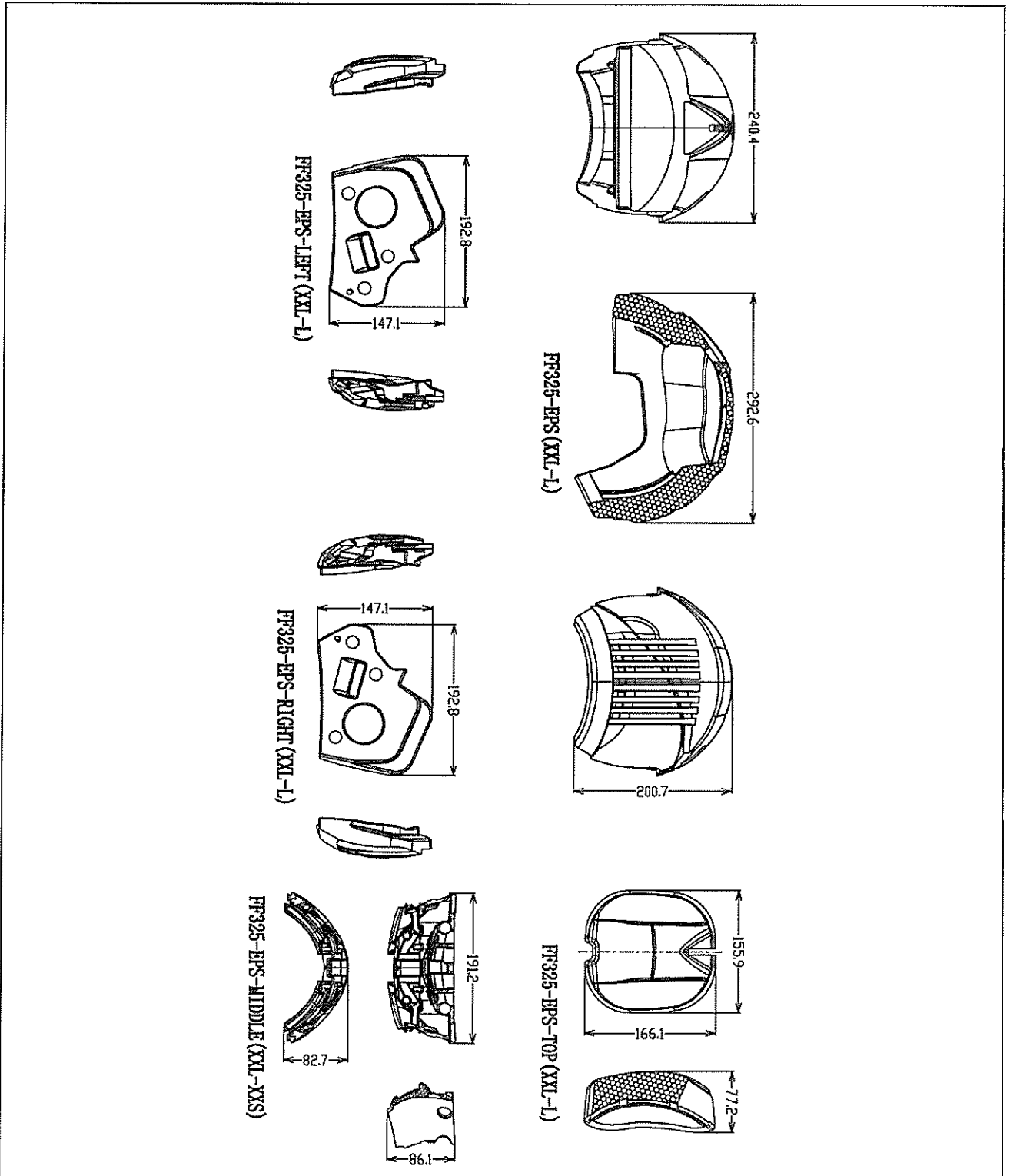
Size	Specific gravity of size liner (kg/m ³)	Specific gravity of side liner (kg/m ³)	Specific gravity of crown liner (kg/m ³)
XXS	35	40	24
XS	35	60	24
S	35	60	24
M	50	60	24
L	50	80	24
XL	55	80	24
XXL	55	80	24

	Type	FF325
	Page	9 of 25

Jiangmen Pengcheng Helmets Ltd.

Information folder No. MHR-FF325-00

Application date: December 17, 2014



	DRW.	FF325-04	EPS details (for SIZE L-XXL)
--	------	----------	---------------------------------

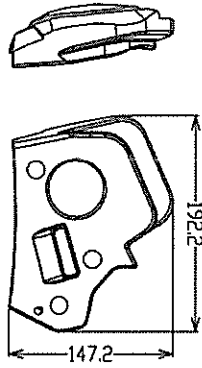
	Type	FF325
	Page	10 of 25

Jiangmen Pengcheng Helmets Ltd.

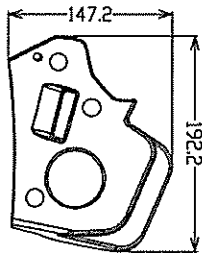
Information folder No. MHR-FF325-00

Application date: December 17, 2014

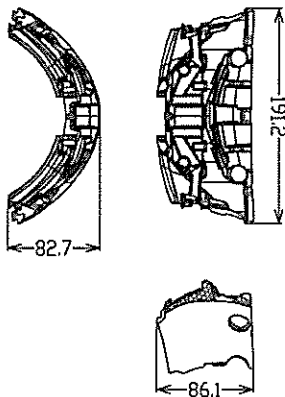
FF325-EPS-LEFT (M-XXS)



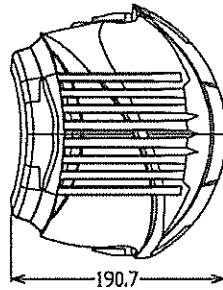
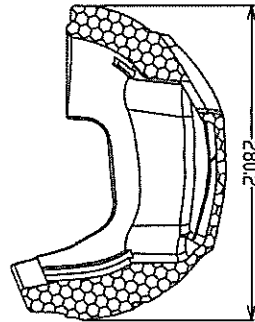
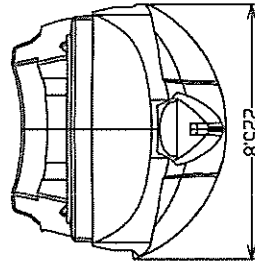
FF325-EPS-RIGHT (M-XXS)



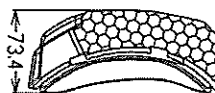
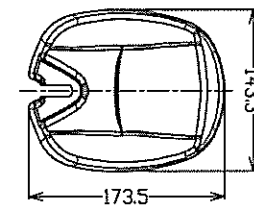
FF325-EPS-MIDDLE (XXL-XXS)



FF325-EPS (M)



FF325-EPS-TOP (M-XXS)



E13*22R00*22R05*10221*00
 Societe Nationale de Certification et d'Homologation
 L-5201 SANDWEHLER (Luxembourg)
 Organisme accredite OLAS EN 45011
 Accreditation N° 5/001 (Portee communiquee sur demande)

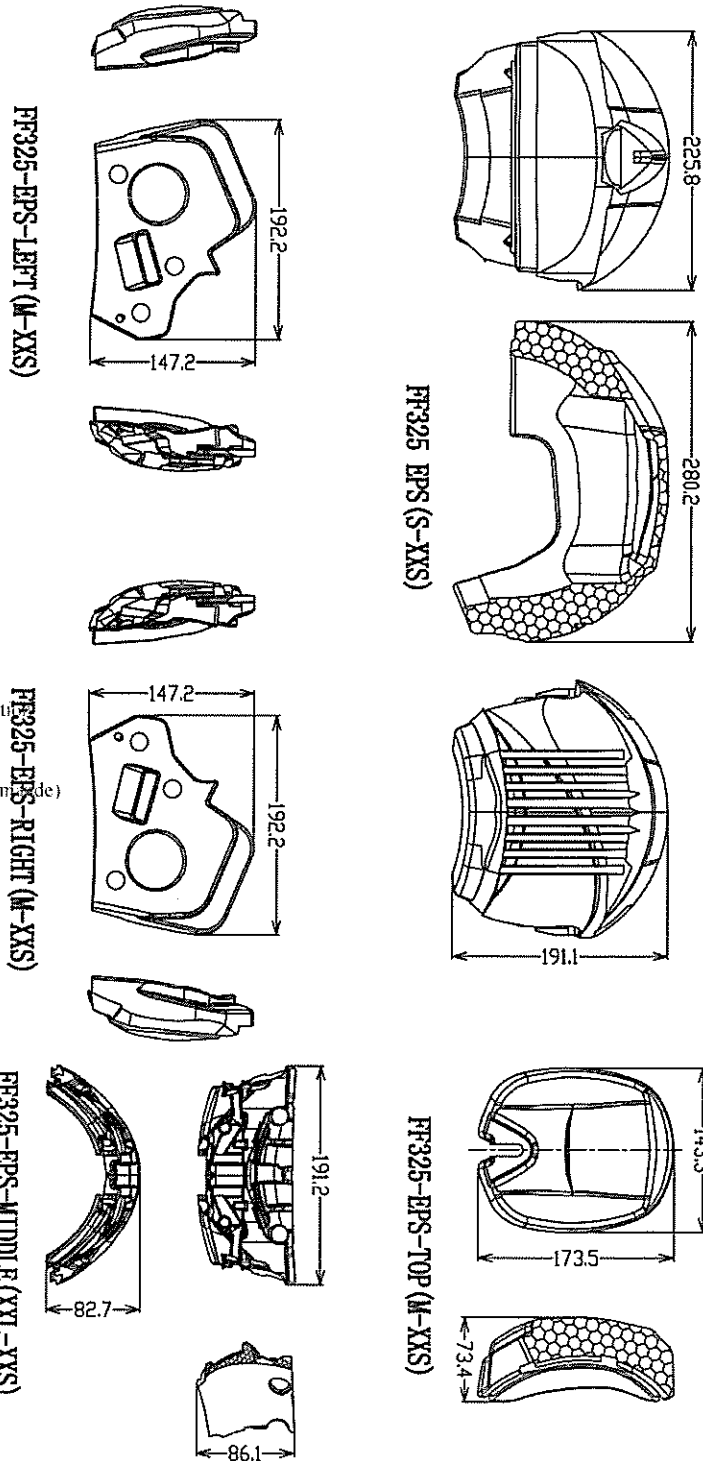
DRW.	FF325-05	EPS details (for SIZE M)
------	----------	-----------------------------

	Type	FF325
	Page	11 of 25

Jiangmen Pengcheng Helmets Ltd.

Information folder No. MHR-FF325-00

Application date: December 17, 2014



E13*22R00*22R05*10221*00
 Société Nationale de Certification et d'Homologation
 L-5201 SANDWEILER (Luxembourg)
 Organisme accrédité OLAS EN 45011
 Accréditation N° 5/001 (Portée communiquée sur demande)

DRW.	FF325-06	EPS details (for SIZE XS-S)
------	----------	--------------------------------

	Type	FF325
	Page	12 of 25

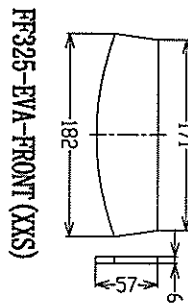
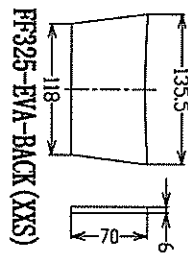
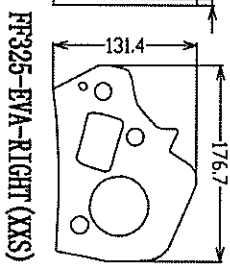
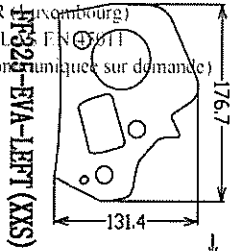
Jiangmen Pengcheng Helmets Ltd.

Information folder No. MHR-FF325-00

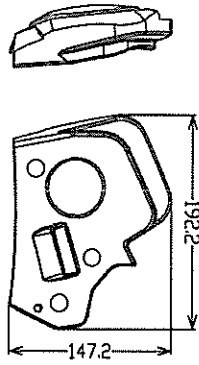
Application date: December 17, 2014

F:\3*22R\m*22R05*1\021*7\H

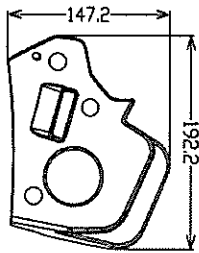
Societe Nationale de Certification et d'Homologation
L-5201 SANDWEHLER (Luxembourg)
Organisme accrédité OLF EN ISO 9001
Accreditation N° 5/001 (Portée communiquée sur demande)



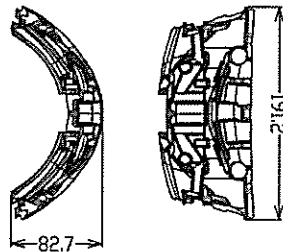
FF325-EPS-LEFT (M-XXS)



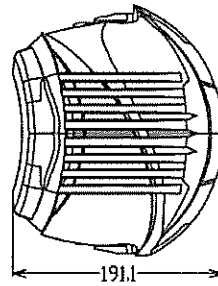
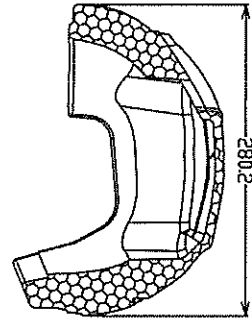
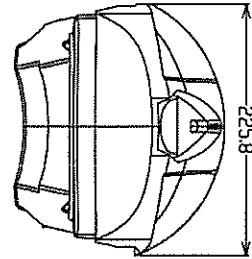
FF325-EPS-RIGHT (M-XXS)



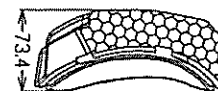
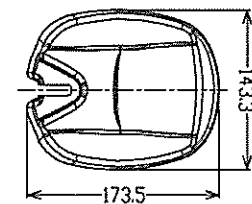
FF325-EPS-MIDDLE (XXL-XXS)



FF325 EPS (S-XXS)



FF325-EPS-TOP (M-XXS)



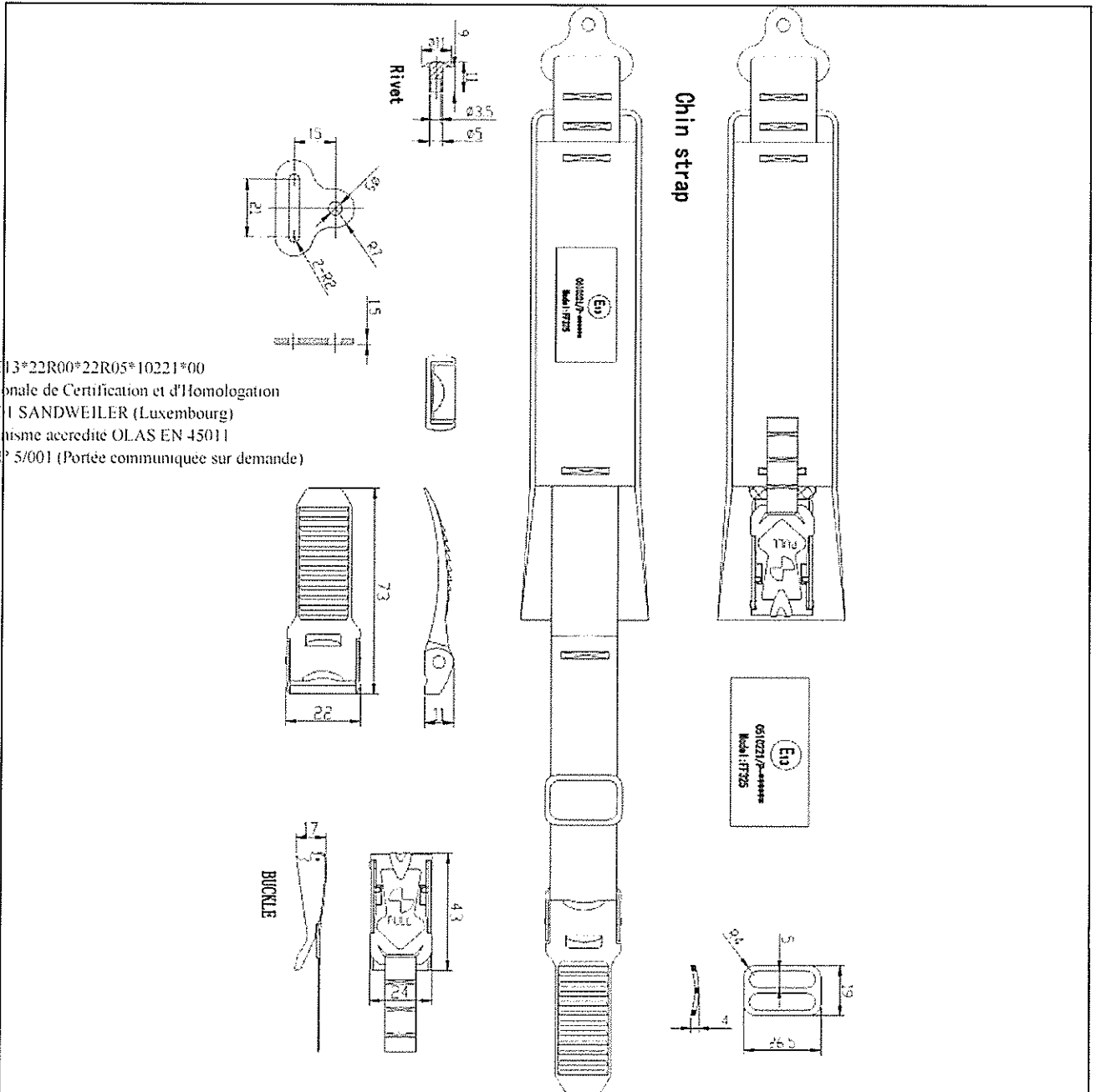
DRW.	FF325-07	EPS details (for SIZE XXS)
------	----------	-------------------------------

	Type	FF325
	Page	13 of 25

Jiangmen Pengcheng Helmets Ltd.

Information folder No. MHR-FF325-00

Application date: December 17, 2014



E13*22R00*22R05*10221*00
 Société Nationale de Certification et d'Homologation
 L-5201 SANDWEILER (Luxembourg)
 Organisme accrédité OLAS EN 45011
 Accréditation N° 5/001 (Portée communiquée sur demande)

Part No.	Subject or name	Material
1	Buckle	A3
2	Sewing Line	Nylon
3	Chin strap	Nylon
	DRW.	FF325-08
		Retention system (with No.15 buckle)

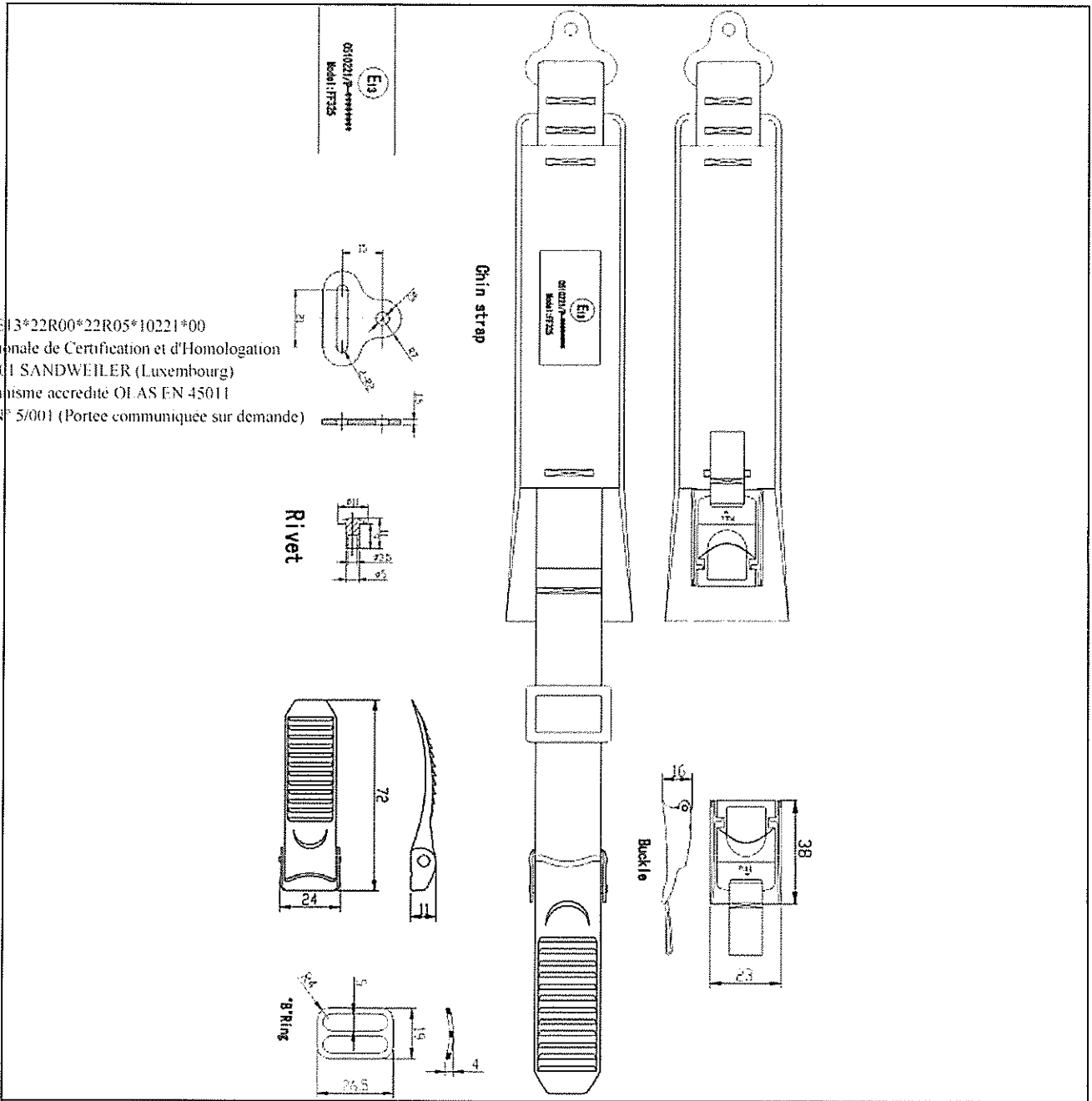
	Type	FF325
	Page	14 of 25

Jiangmen Pengcheng Helmets Ltd.

Information folder No. MHR-FF325-00

Application date: December 17, 2014

E13*22R00*22R05*10221*00
 Société Nationale de Certification et d'Homologation
 L-5201 SANDWEILER (Luxembourg)
 Organisme accrédité OI AS EN 45011
 Accréditation N° 5/001 (Portée communiquée sur demande)



Part No.	Subject or name	Material
1	Buckle	A3
2	Sewing Line	Nylon
3	Chin strap	Nylon
	DRW.	FF325-09
		Retention system (with No.17 buckle)

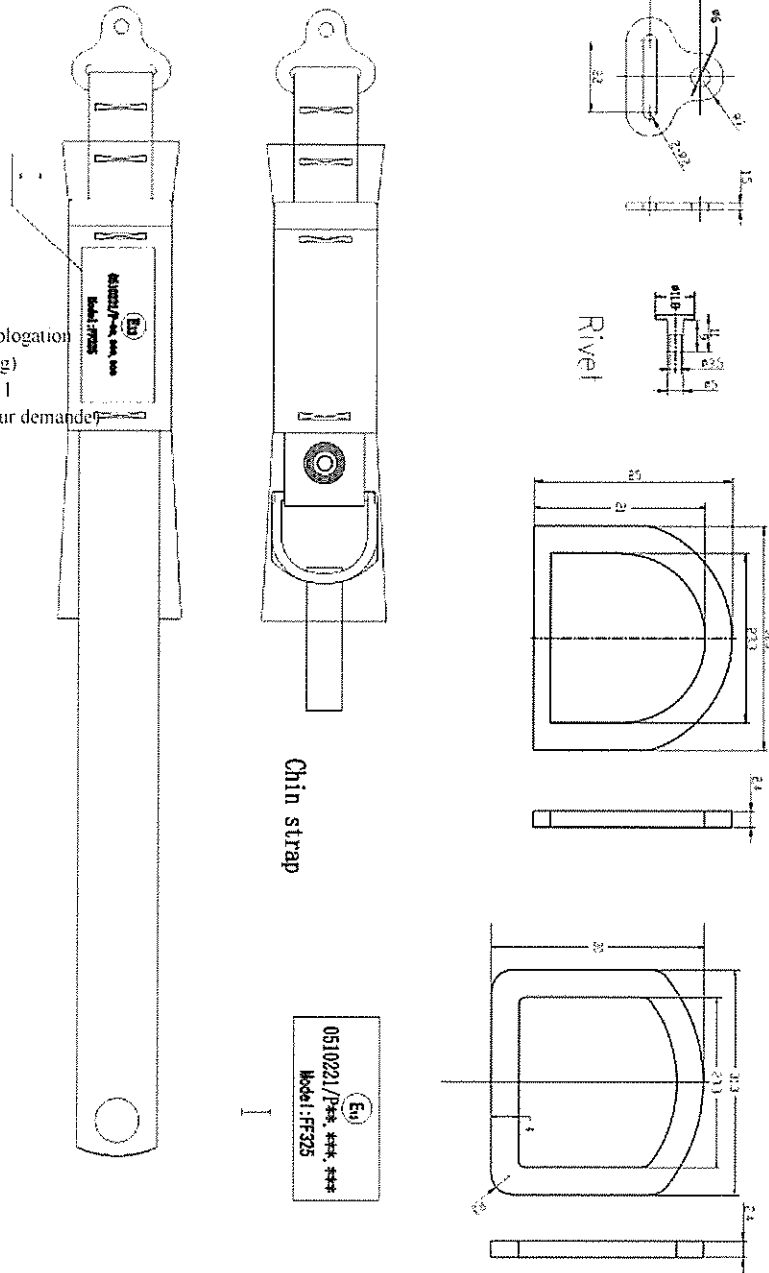
	Type	FF325
	Page	15 of 25

Jiangmen Pengcheng Helmets Ltd.

Information folder No. MHR-FF325-00

Application date: December 17, 2014

E13*22R00*22R05*10221*00
 Société Nationale de Certification et d'Homologation
 L-5201 SANDWEILFR (Luxembourg)
 Organisme accrédité OLAS EN 45011
 Accréditation N° 5/001 (Portée communiquée sur demande)



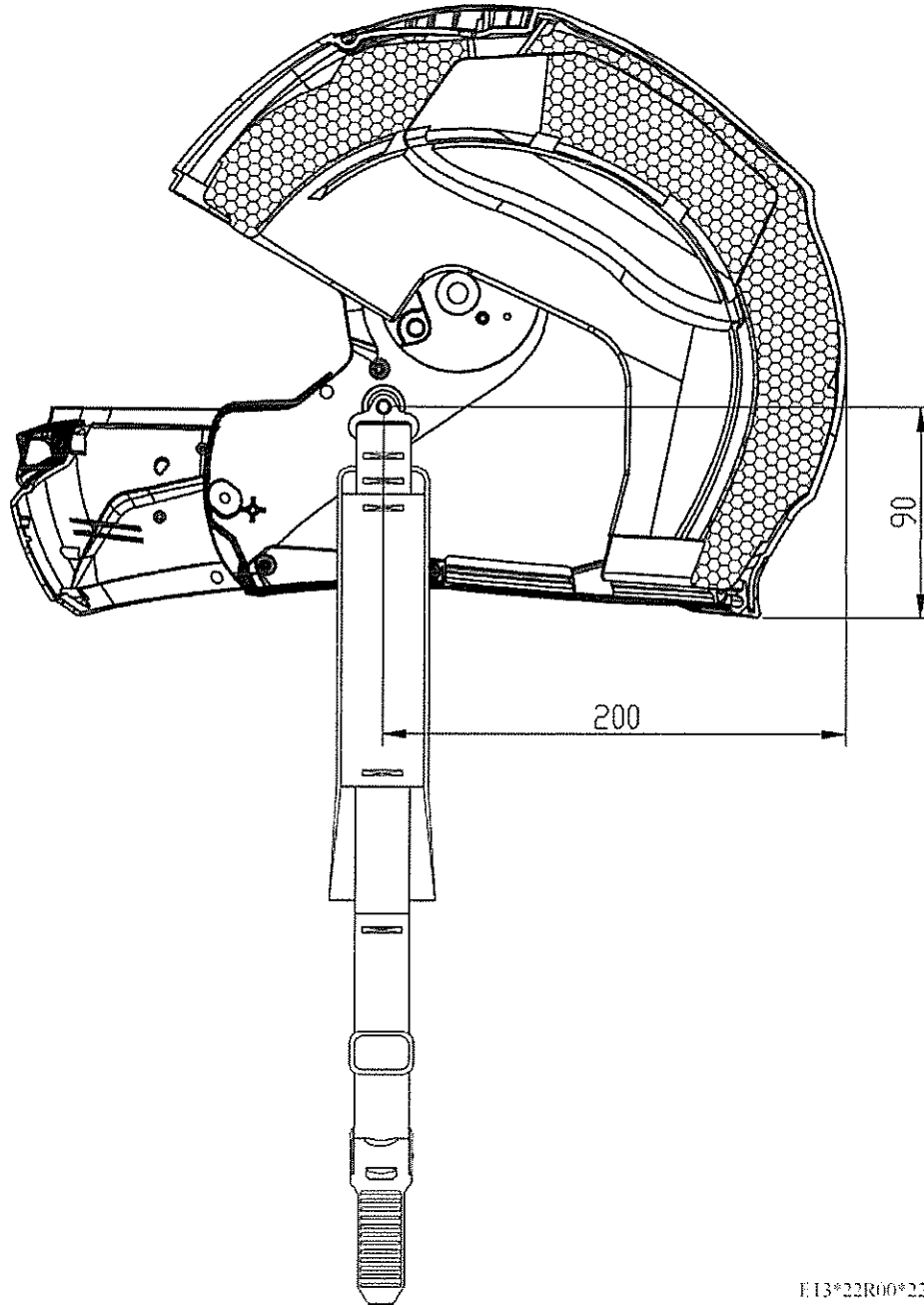
Part No.	Subject or name	Material
1	Buckle	Double "D" ring
2	Sewing Line	Nylon
3	Chin strap	Nylon
	DRW.	FF325-10
		Retention system (with Double "D" ring)

	Type	FF325
	Page	16 of 25

Jiangmen Pengcheng Helmets Ltd.

Information folder No. MHR-FF325-00

Application date: December 17, 2014



E13*22R00*22R05*10221*00
Société Nationale de Certification et d'Homologation
L-5201 SANDWELLER (Luxembourg)
Organisme accrédité OLAS EN 45011
Accreditation N° 5/001 (Portée communiquée sur demande)

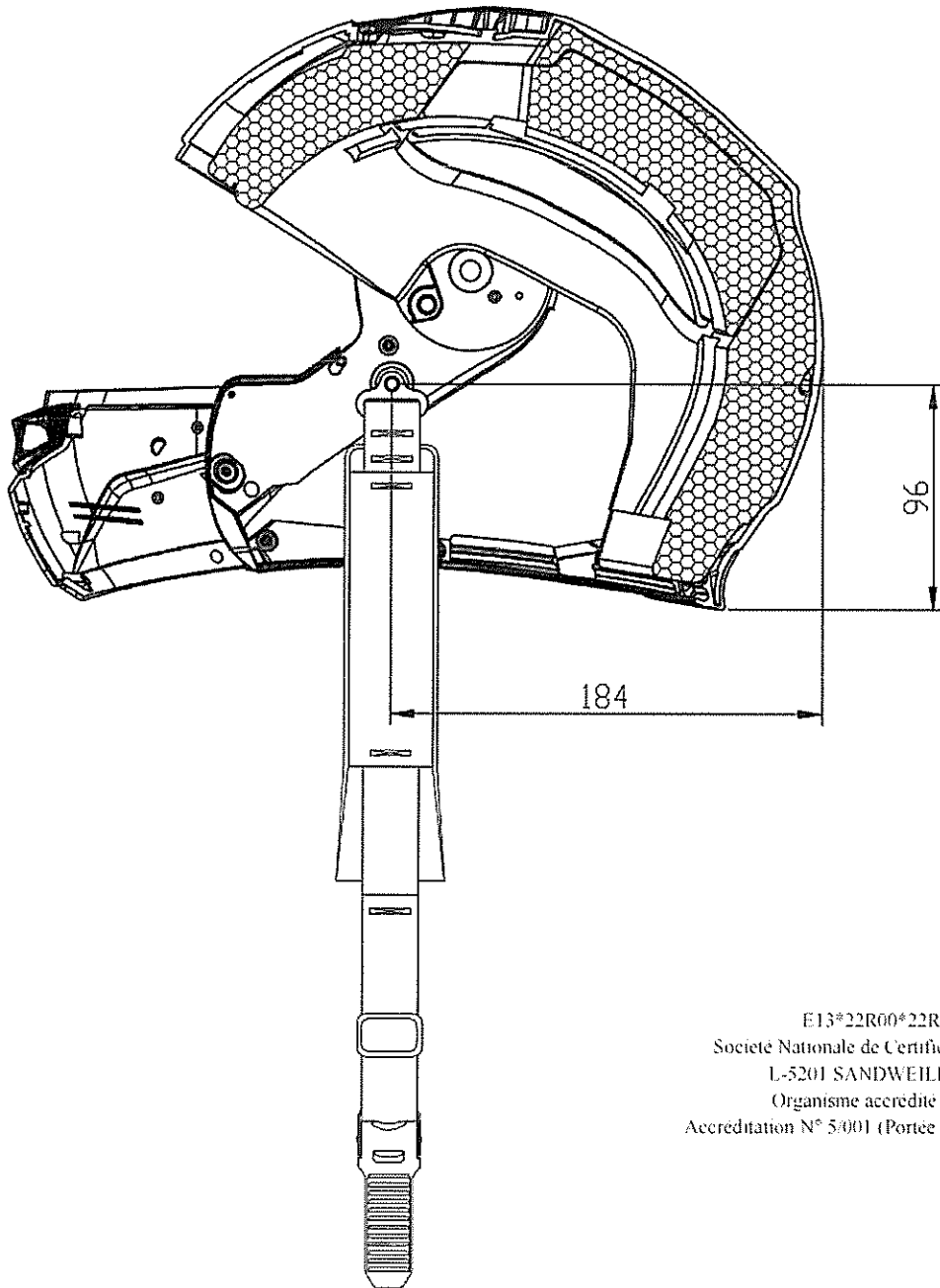
DRW.	FF325-11	Retention system position (for SIZE L-XXL)
------	----------	---

	Type	FF325
	Page	17 of 25

Jiangmen Pengcheng Helmets Ltd.

Information folder No. MHR-FF325-00

Application date: December 17, 2014



E13*22R00*22R05*10221*00
Société Nationale de Certification et d'Homologation
L-5201 SANDWEILER (Luxembourg)
Organisme accrédité OLAS EN 45011
Accréditation N° 5/001 (Portée communiquée sur demande)

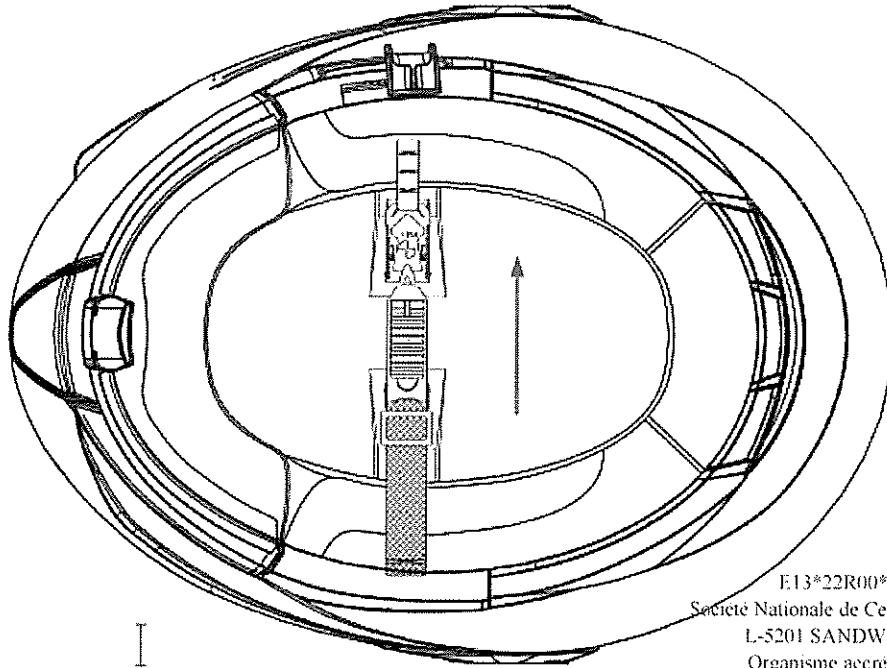
DRW.	FF325-12	Retention system position (for SIZE XXS-M)
------	----------	---

	Type	FF325
	Page	18 of 25

Jiangmen Pengcheng Helmets Ltd.

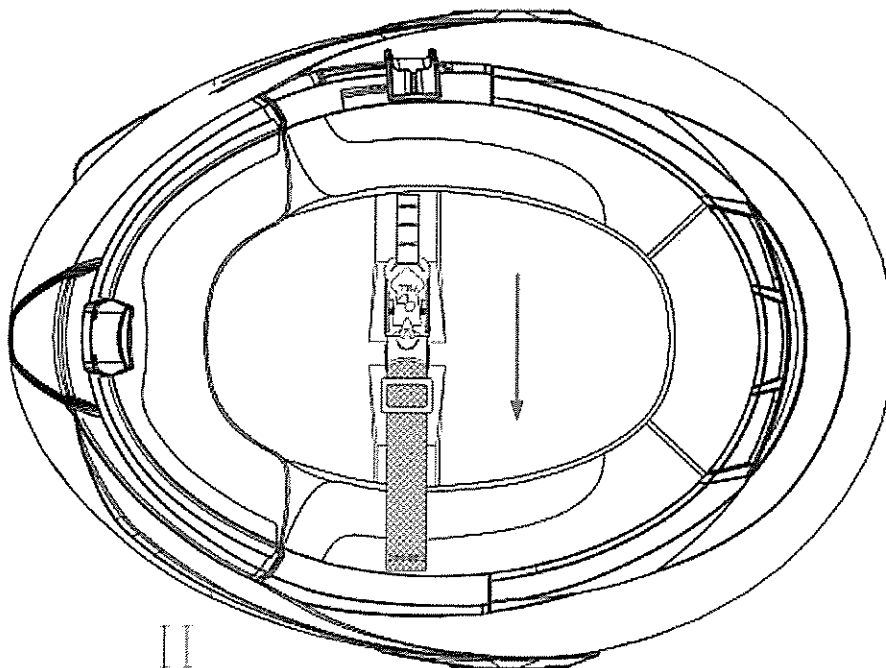
Information folder No. MHR-FF325-00

Application date: December 17, 2014



I

E13*22R00*22R05*10221*00
 Société Nationale de Certification et d'Homologation
 L-5201 SANDWEILER (Luxembourg)
 Organisme accrédité OLAS EN 45011
 Accréditation N° 5/001 (Portée communiquée sur demande)



II

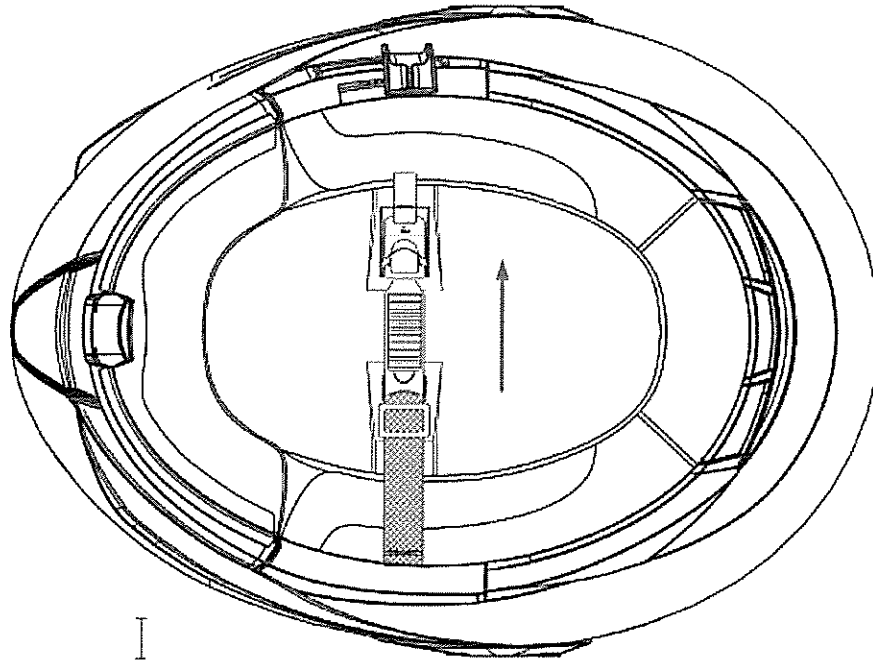
	DRW.	FF325-13	Retention system operation (with No.15 buckle)
--	------	----------	---

	Type	FF325
	Page	19 of 25

Jiangmen Pengcheng Helmets Ltd.

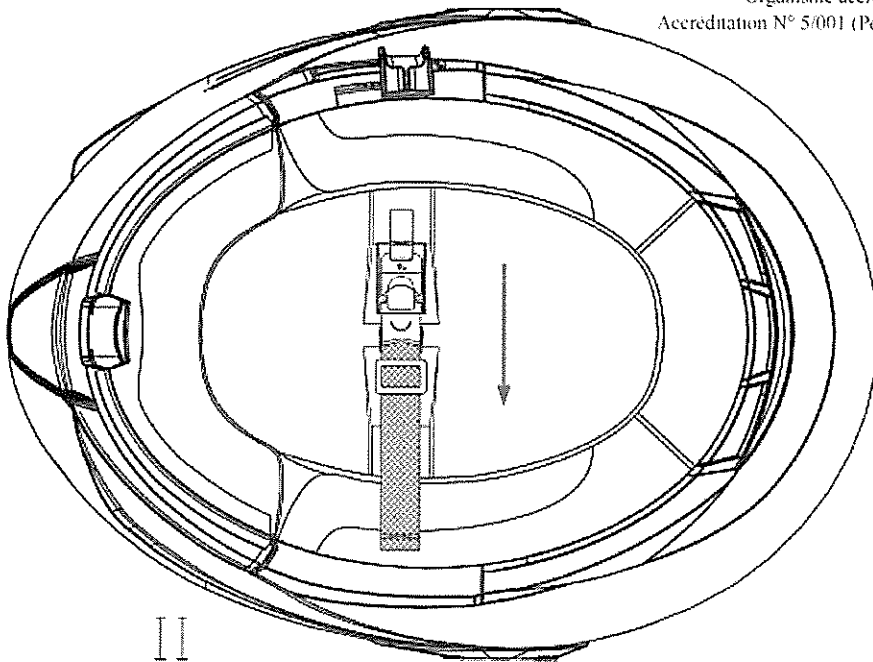
Information folder No. MHR-FF325-00

Application date: December 17, 2014



I

F13*22R00*22R05*10221*00
Société Nationale de Certification et d'Homologation
L-5201 SANDWEILER (Luxembourg)
Organisme accrédité OLAS EN 45011
Accréditation N° 5/001 (Portée communiquée sur demande)



II

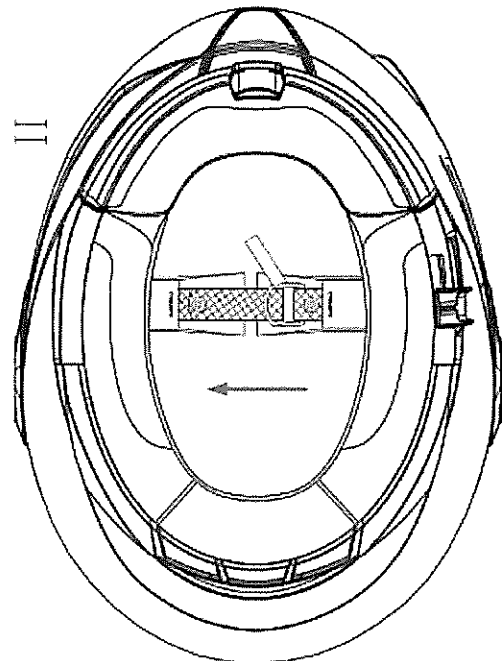
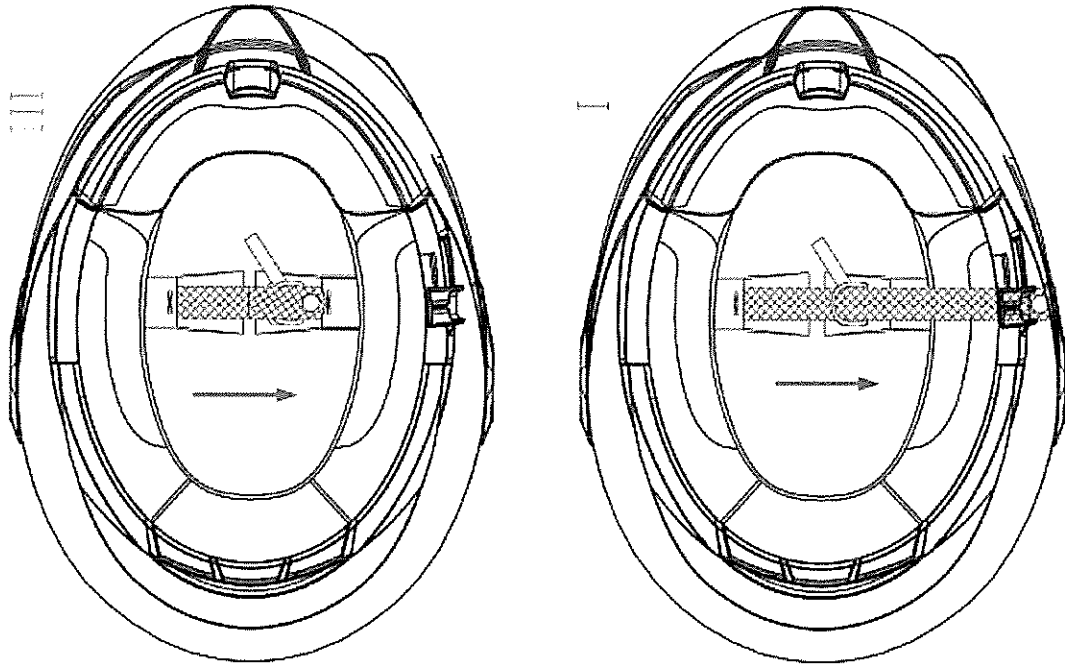
DRW.	FF325-14	Retention system operation (with No.17 buckle)
------	----------	---

	Type	FF325
	Page	20 of 25

Jiangmen Pengcheng Helmets Ltd.

Information folder No. MHR-FF325-00

Application date: December 17, 2014



E13*22R00*22R05*10221*00

Société Nationale de Certification et d'Homologation

L-5201 SANDWEILER (Luxembourg)

Organisme accrédité OLAS EN 45011

Accréditation N° 5/001 (Portée communiquée sur demande)

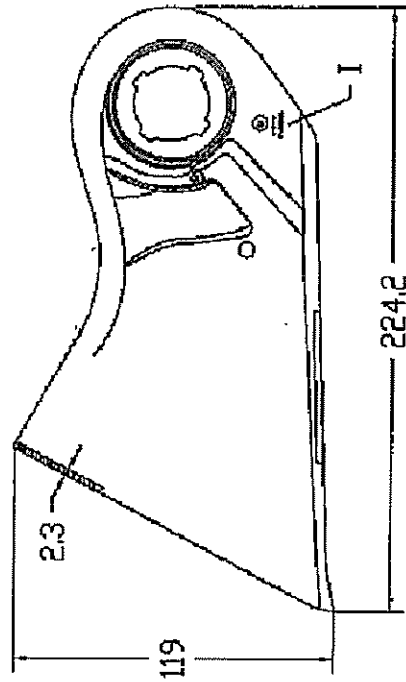
	DRW.	FF325-15	Retention system operation (with Double "D" ring)
--	------	----------	--

	Type	FF325
	Page	21 of 25

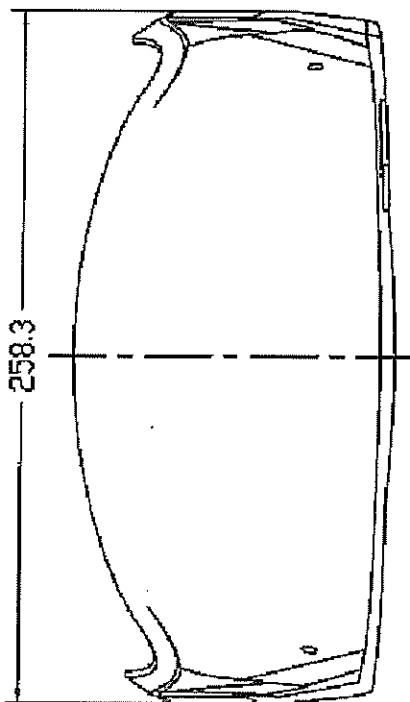
Jiangmen Pengcheng Helmets Ltd.

Information folder No. MHR-FF325-00

Application date: December 17, 2014



E13*22R00*22R05*10221*00
 Société Nationale de Certification et d'Homologation
 L-5201 SANDWEILER (Luxembourg)
 Organisme accrédité OLAS EN 45011
 Accreditation N° 5/001 (Portée communiquée sur demande)



FF-MHR-50 I

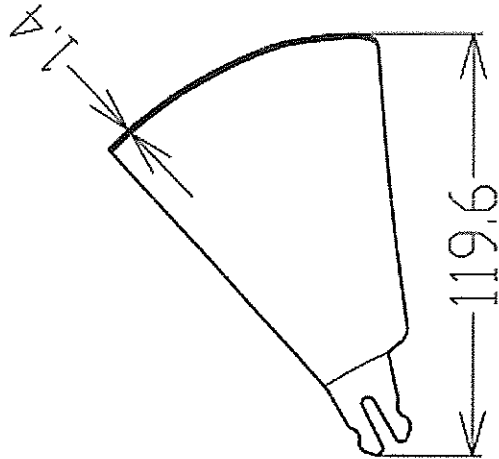
DRW.	FF325-16	Drawing and details for Visor
------	----------	-------------------------------

	Type	FF325
	Page	22 of 25

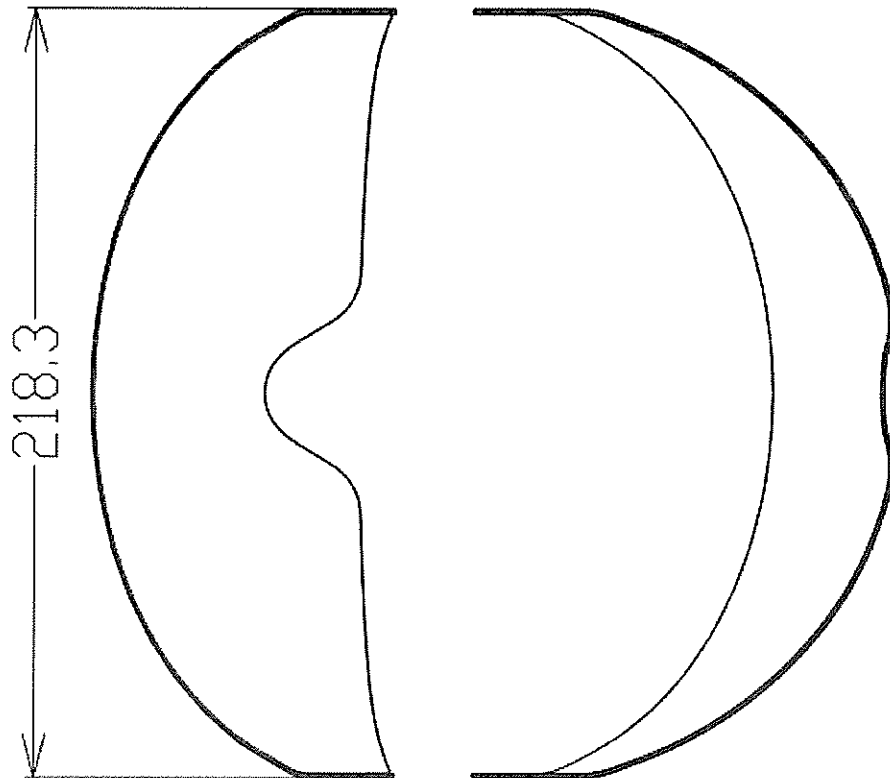
Jiangmen Pengcheng Helmets Ltd.

Information folder No. MHR-FF325-00

Application date: December 17, 2014



E13*22R00*22R05*10221*00
Société Nationale de Certification et d'Homologation
L-5201 SANDWEILER (Luxembourg)
Organisme accrédité OLAS EN 45011
Accréditation N° 5/001 (Portée communiquée sur demande)



DRW.

FF325-17

Drawing and details for
Sunlight Filter

	Type	FF325
	Page	23 of 25

Jiangmen Pengcheng Helmets Ltd.

Information folder No. MHR-FF325-00

Application date: December 17, 2014



0510221/P-XXXX
Model: FF325

E13*22R00*22R05*10221*00
Société Nationale de Certification et d'Homologation
L-5201 SANDWEILLER (Luxembourg)
Organisme accrédité OLAS EN 45011
Accreditation N° 5/001 (Portée communiquée sur demande)

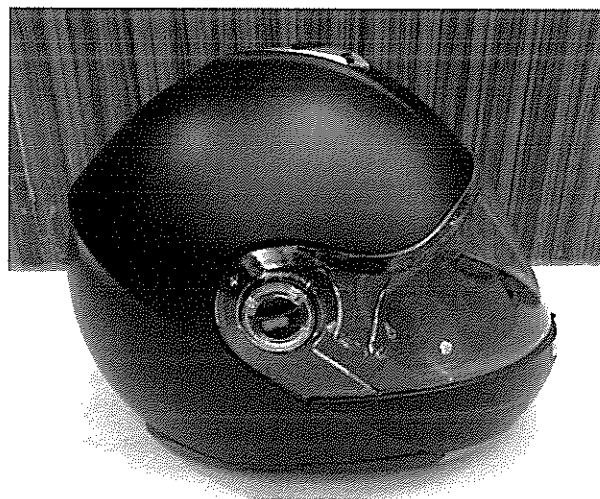
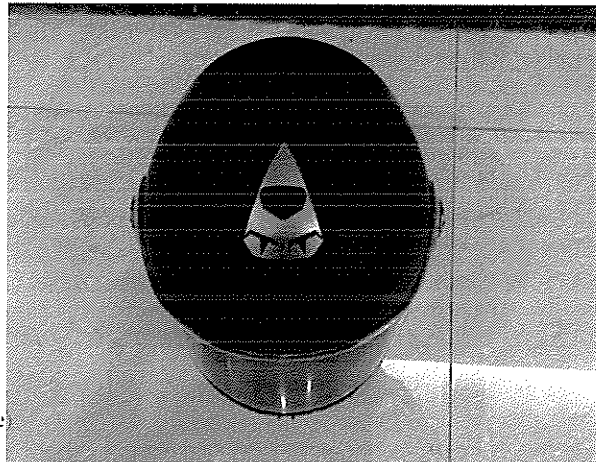
DRW.	FF325-18	Approval marking(s)
------	----------	---------------------

	Type	FF325
	Page	24 of 25

Jiangmen Pengcheng Helmets Ltd.

Information folder No. MHR-FF325-00

Application date: December 17, 2014



DRW.

FF325-19

Helmet assembly pictures

E13*22R00*22R05*10221*00
Societe Nationale de Certification et d'Homologation
L-5201 SANDWEILER (Luxembourg)
Organisme accredite OLAS EN 45011
Accreditation N° 5/001 (Portee communiquee sur demande)

	Type	FF325
	Page	25 of 25